



## Installation and Maintenance Instructions

All models are intended for use with third party listed natural or propane gas fired direct vent fireplace inserts only, installed in a clean, properly maintained, unused vertical masonry of factory built chimney to a maximum height of 65 feet.

### MODEL DVI-D

Direct Vent Co-Linear Flexible Liner Kit with Decorative Cap/Flashing

#### Kit Includes:

- Chimney Liners (exhaust and intake)
- Decorative Cap/Flashing
- Self-drilling Screws

### MODEL DVI-X

Direct Vent Co-Linear Flexible Liner Kit with Extreme Weather Cap/Flashing

#### Kit Includes:

- Chimney Liners (exhaust and intake)
- Extreme Weather Cap/Flashing
- Self-drilling Screws

### MODEL DVI-LP

Direct Vent Co-Linear Flexible Liner Kit with Low Profile Cap

#### Kit Includes:

- Chimney Liners (exhaust and intake)
- Low Profile Cap
- Flashing
- 4x3 Reducer (2DVI435LP) - **Use only if required - see page 2 item 6.**
- Self-drilling Screws

**Tools Required:** Duct tape, screwdriver, 5/8 rope length and hacksaw or snips or cutting wheel.



MH60654 Direct Vent Venting System

Listed to UL 2112, CSA 2.33

Manufacture's address:



**U.S.A.:** 20 Commerce Park North  
Bedford, NH 03110-6911

**CANADA:** 452 Attwell Drive  
Etobicoke, ON M9W 5C3

The information provided within is for informational purposes only. We have made every effort to ensure the accuracy of the provided information and assume no responsibility for any loss or damage due to errors or omissions or to the use or misuse of any information supplied. It is impossible to test all products under all conditions to which they might be subjected in the field. It is therefore the buyer and/or end users' responsibility to test all products under the conditions that duplicate the service conditions prior to installation. All improvements, all specifications are subject to change without prior notice. It is the buyer and/or end users' responsibility to review our complete Terms and Conditions of Sale located on our web sites at: [www.novaflex.com](http://www.novaflex.com) | [www.z-flex.com](http://www.z-flex.com) | [www.flexmaster.com](http://www.flexmaster.com).

## GENERAL INSTRUCTIONS

### WARNING

A by-product of any fuel burning appliance is carbon monoxide, which is an invisible and odorless gas. Read and follow all instructions and appropriate local codes when installing, using or maintaining any fuel burning appliance and vent system. Install carbon monoxide detector and alarms in accordance with local codes. Failure to comply can result in property damage, severe personal injury or death.

To ensure proper operation of venting system and appliance do not make any alterations or use any materials other than those specified in these instructions.

Do not place any insulation in any required clearance space around vent system.

Do not common vent multiple appliance in same vent.

1. These instructions are for models DVI-D, DVI-X and DVI-LP.
2. Read these instructions and appliance manufactures' instructions carefully prior to installing the chimney liner. If doubts exist, contact your local distributor or Z-Flex at 1-800-654-5600 (in NH 603-669-5136).
3. **The cleaning or repairing of chimney must be performed by a certified chimney sweep or other qualified professional.** Clean and repair chimney as required. **NOTE: Removal of all tar glazed creosote is a must prior to installation of chimney liners.** Also, cracked, loose or missing bricks, mortar or other materials that could inhibit correct installation of the chimney lining system should be removed/repaired.
4. Contact your local building or fire officials about any restrictions and installation inspections required in your area.
5. Chimney liner kit is not intended for horizontal installations.
6. **The chimney liners must not be sized less than that specified in the appliance manufacturer's instructions.**
7. The liners may be purchased in various lengths to suit chimney height. Only if necessary a single joint is allowed to join two liners. Use only Z-Flex approved aluminum gas connector to join two liners. Join liner and connector with high temperature sealant (field supplied) and secure with three evenly spaced self-drilling screws per liner. **Consult appliance manufacturer's instructions (which takes precedence over these instructions) for joint and sealant requirements/ specifications. If sealant is required but not specified by appliance manufacturer order part number 2DVKS sold separately.**
8. Nose cone is a catalogue item and is sold separately by Z-Flex.

## Appliance List & Minimum Chimney Size

**Z-FLEX**

---

### Appliance List

This list details the intended use of the gas liner. If your appliance is not on this list and you are not sure if it is appropriate to use with a gas liner, contact your appliance manufacture prior to installation.

- **Third party listed natural or propane gas fired direct vent fireplace insert**

### Minimum Chimney Size

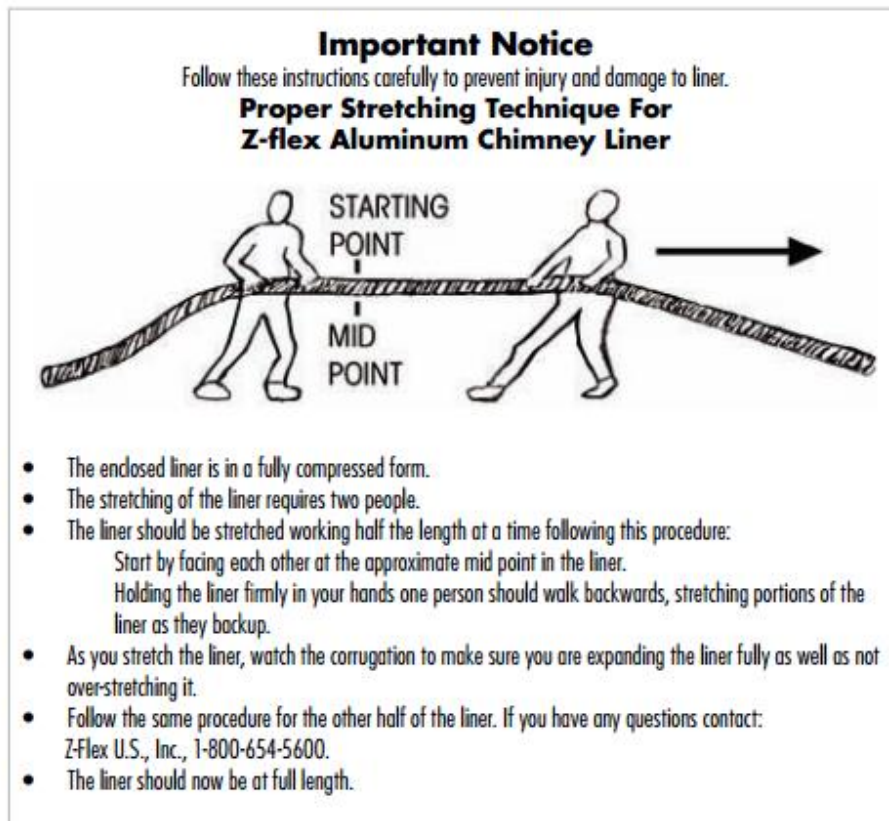
**Minimum Chimney Size – Table 1**

<b>Liner Diameter – Exhaust x Intake</b>	<b>Minimum Chimney Dimensions</b>
3" x 3"	6.75" Round or Square
4" x 3"	7.75" Round or Square
4" x 4"	8.75" Round or Square

## Installation Procedure

**Z-FLEX**

1. All models are designed and listed to be installed in a masonry or factory built chimney.
2. Read all instructions and warnings carefully prior to installing and using appliance. Refer to appliance manufactures' instructions for appropriate use, maximum lengths, joining methods and clearances.
3. Clean the chimney thoroughly, removing all soot, debris and tar glaze creosote. Repair any cracked, loose or missing bricks, mortar and other materials that could inhibit correct installation of the chimney liner system. Trim the top protruding clay tile to allow for the installation of the Z-Flex Flashing and Cap.
4. Eliminate any obstructions in the chimney
5. Prior to installing **Models DVI-D, DVI-X and DVI-LP**, extend liners to their maximum length (see figure 1 for proper stretching techniques).



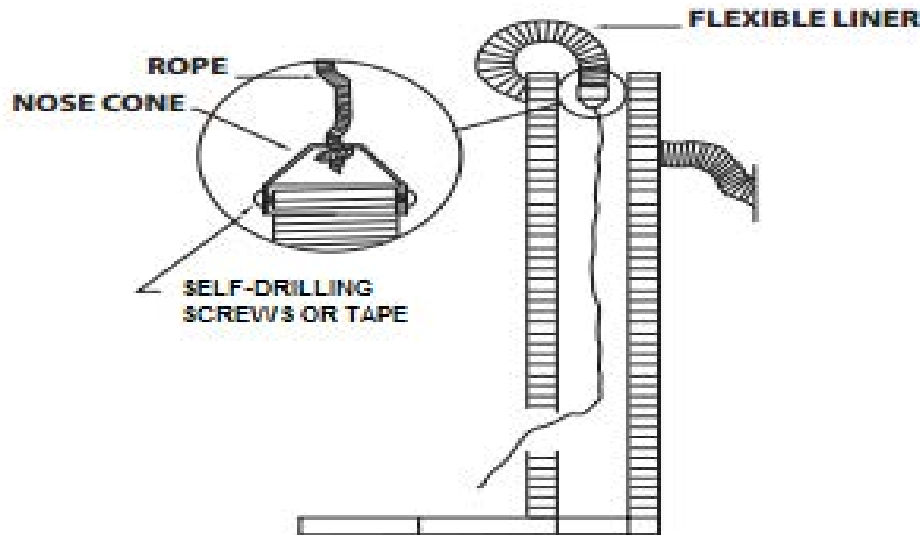
**Fig. 1 Proper Stretching Technique For Liners**

6. Now the Flexible Liners are ready to be installed in the chimney. Take a rope slightly longer than the liner and make a knot at one end of the rope and place other end through the backside of the \*Nose Cone and pull the rope until the knot is completely in the Nose Cone. Place the Nose Cone(s) at the end of the liner(s). To secure, use duct tape or other fastener. (See figure 2)

## Installation Procedure

**Z-FLEX**

- Using the rope attached to the \*Nose Cone(s), carefully guide the liner(s) down the chimney through the inlet opening to avoid any damage to liner(s). If easier guide both liners down chimney at same time. Mark top and bottom of one liner as "EXHAUST" to ensure proper installation. Allow just enough liner to extend to appliance.



**\*Nose Cone can be purchased separately from Z-Flex.**

**Fig. 2 Installation of Liners in Chimney**

**NOTE: Consult appliance manufacturer's instructions (which takes precedence over these instructions) for joint and sealant requirements/specifications. If sealant is required but not specified by appliance manufacturer order part number 2DVKS sold separately.**

- For models **DVI-D, DVI-X and DVI-LP** attach liners directly to appliance using high temperature sealant (field supplied) and secure each liner with three (3) evenly spaced self-drilling screws included in kit. Ensure liners are connected properly to appliance i.e. "EXHAUST" liner to "EXHAUST" appliance collar.

**NOTE: Air intake of cap is marked with blue tape.**

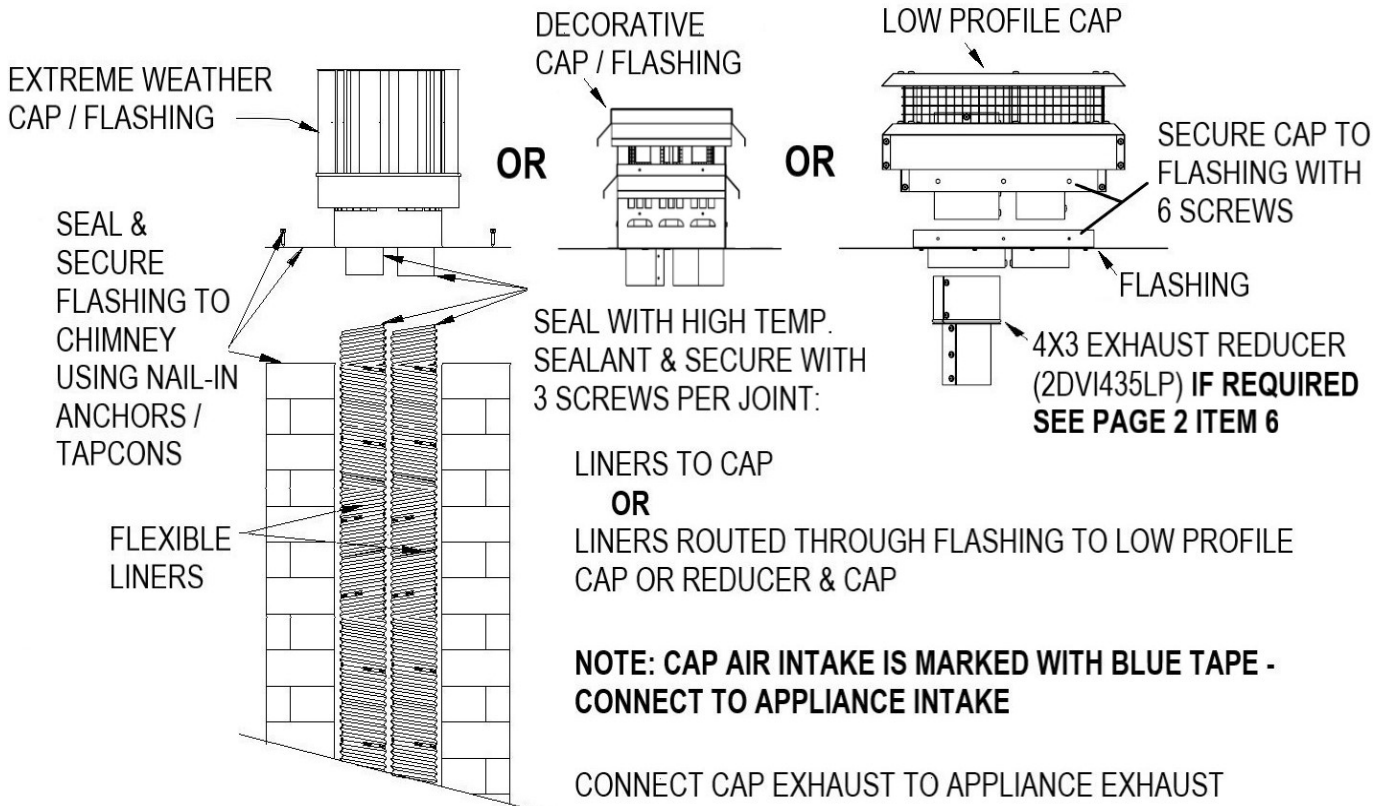
- Using a hacksaw, snips or cutting wheel trim the liners to the required height. Attach liners to Cap/Flashing or through Flashing to Low Profile Cap or through Flashing to 3" end of Exhaust Reducer (if required see page 2 item 6) and then attach 4" end of Reducer to Low Profile Cap exhaust using high temperature sealant (field supplied) and secure with three (3) evenly spaced self-drilling screws per joint included in kit. (See figure 3)

**NOTE: Air intake of cap is marked with blue tape.**

- Secure Flashing to chimney using nail-in anchors. Caulk all joints with a quality silicone sealant and paint if required (both field supplied). (See figure 3)
- Secure Low Profile Cap to Flashing with 6 screws.

# Installation Procedure & Maintenance Instructions

**Z-FLEX**



**Fig. 3 Installation Top of Chimney**

## Maintenance Instructions

The chimney lining system should be checked for any signs of corrosion, debris or leakage and if necessary repaired by an authorized representative of the company, or other qualified person such as a certified chimney sweep, at least once a year following initial installation.

To clean the liner, remove cap. Check appliance manufactures' instructions to see of any particular precautions should be taken on initial firing or cleaning of any appliance that is vented through a chimney liner.

**Save these instruction for future reference.**

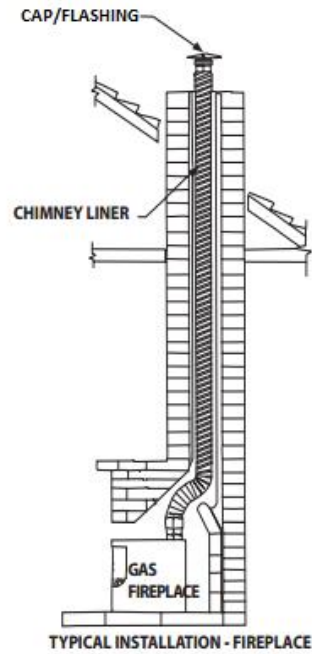


Fig. 4 Typical Installation in Chimney with Offset Less Than 45° from Vertical

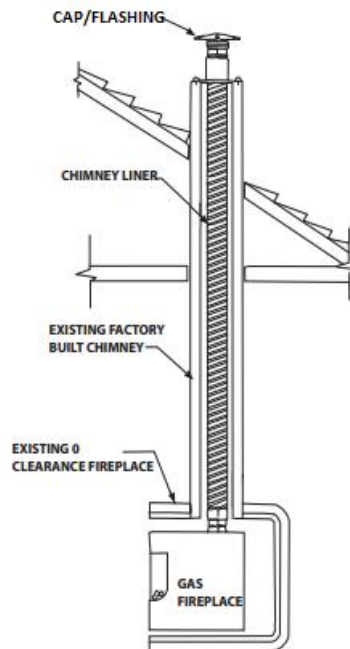


Fig. 5 Typical Installation in Straight or Factory Built Chimney

Full 25 years liner warranty

Z-Flex® U.S., Inc. ("Z-Flex®") warrants its ALUMINUM CHIMNEY LINER to the original purchaser or if purchased by a contractor, to the end user. The warranty is valid for a period of (25) years, provided it is installed according to UL installation instructions. Deviating from the installation and use instructions included with the liner will void the warranty. Z-Flex® warrants that at the time of shipping the ALUMINUM CHIMNEY LINER will be free of manufacturer's defects in material and/or workmanship.

Liability under the warranty shall be limited to the replacement of the liner and accessories found to be defective according to the terms of the warranty, and shall not include replacement installation or other costs.

IMPORTANT: Z-Flex® ALUMINUM CHIMNEY LINERS are designed to be used with these fuels only: Natural gas and propane gas. Excessive condensation with high chlorine content may have a corrosive effect on aluminum. Where these conditions prevail, we recommend using our AL29-4C® Stainless Steel vent system. Refer to equipment manufacturer's installation instructions for proper liner material.

To activate the warranty, the purchaser or end user must complete and return the Z-Flex® warranty registration card within ninety (90) days of installation. Upon receipt of written notice of any defect, Z-Flex® reserves the right to examine or engage others to examine the liner. Such examination must establish reasonable proof of defective material or workmanship justifying replacement.

The sole remedy for breach of any and all warranties and the sole remedies for Z-Flex®'s liability of any kind shall be limited to the remedies provided herein. Z-flex shall not be liable for any special, incidental, indirect or consequential damages, or for any claim against the purchaser or end user by any other party. EXCEPT AS SPECIFICALLY PROVIDED HEREIN, Z-FLEX® DOES NOT MAKE ANY EXPRESS OR IMPLIED WARRANTIES, INCLUDING BUT NOT LIMITED TO THE IMPLIED WARRANTIES OF MERCHANTABILITY AND FITNESS FOR A PARTICULAR USE. Some states do not allow the exclusion of implied warranties or the limitation or exclusion of liability for incidental or consequential damages, so the above limitations may not apply to you. You may also have other rights which vary from state to state.

For further information, call or write to:

20 Commerce Park North Bedford, NH 03110-6911 Tel: (603) 669-5136 Toll Free: 1-800-654-5600 452 Attwell Drive Etobicoke, Ontario M9W 5C3 Tel: (416) 879-0045

WARRANTY REGISTRATION CARD



For this warranty to be effective this card must be completed upon purchase of the covered liner and returned to Z-flex, Inc.

NAME: \_\_\_\_\_

ADDRESS: \_\_\_\_\_

LINER PURCHASED FROM: \_\_\_\_\_

DATE OF INSTALLATION: \_\_\_\_\_

FIREPLACE, STOVE OR FURNACE MODEL: \_\_\_\_\_

I understand and agree to the warrant as stated: \_\_\_\_\_

(signature)