

1. Gas Test Gauge  
2. Water Test Gauge


**Description & Features:**

- Economical pressure gauge and valve body assembly used for pressure testing
- Bleed port and plated housing on the gas test assembly
- Swivel hose adaptor on the Water Test Gauge
- Black steel case
- Brass or lead free brass wetted parts
- Dual scale (PSI/kPa)
- ±3-2-3% accuracy
- ASME B40.100 compliant
- CRN registered
- Lead free version NSF-61-372 certified
- 5 year warranty

**Applications:**

- Residential & commercial pressure testing of natural gas, air and water lines
- Lead free version for potable water systems
- Suitable for non-clogging and non-corroding media

**Specifications**

<b>Dial</b>	2" (50mm), 2.5" (63mm) white aluminum with black and red markings
<b>Case</b>	Steel painted black
<b>Lens</b>	PETG: Polycarbonate PETM, PETM-LF, PETW, PETW-LF: Acrylic
<b>Ring</b>	Steel, painted black
<b>Bourdon Tube</b>	PET: Phosphor bronze PET-LF: Lead free phosphor bronze, NSF-61-372 certified
<b>Movement</b>	PET: Brass, PET-LF: SS
<b>Pointer</b>	Aluminum, black
<b>Connection</b>	PETG: 3/4" NPTF PETM, PETM-LF, PETW, PETW-LF: 3/4" female swivel hose connection
<b>Maximum Pointer</b>	Available on Water Test Gauge only
<b>Welding</b>	#50 tin solder
<b>Ambient/Process Temperature</b>	-40°F to 150°F (-40°C to 65°C)
<b>Gas Test</b>	-40°F to 150°F (-40°C to 65°C)
<b>Water Test</b>	32°F to 150°F (0°C to 65°C)
<b>Working Pressure</b>	Maximum 75% of full scale value
<b>Accuracy</b>	±3-2-3% ANSI/ASME Grade B
<b>Enclosure Rating</b>	IP52
<b>Warning</b>	 <b>WARNING:</b> This product can expose you to chemicals including lead, which is known to the State of California to cause cancer and birth defects or other reproductive harm. For more information go to <a href="http://www.P65Warnings.ca.gov">www.P65Warnings.ca.gov</a> .

## PET Order Codes (products in bold are normally stock in North America)

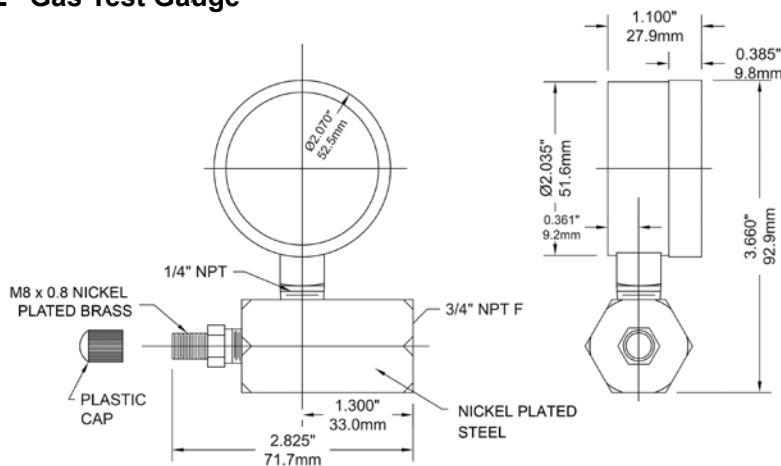
Product	Gas Test Gauge	Water Test Gauge	Maximum Pointer Water Test Gauge
Dial Size	<b>2" (50mm)</b>	<b>2.5" (63mm)</b>	<b>2.5" (63mm)</b>
Connection	<b>Adapts to 3/4" NPTF</b>	<b>3/4" Female Swivel Hose Connection</b>	<b>3/4" Female Swivel Hose Connection</b>
0/15 psi	<b>PETG201</b>	-	-
0/30 psi/kPa	<b>PETG202</b>	-	-
0/60 psi/kPa	<b>PETG203</b>	-	-
0/100 psi/kPa	<b>PETG204</b>	-	-
0/160 psi/kPa	PETG205	PETW213	<b>PETM213</b>
0/300 psi/kPa	-	<b>PETW217</b>	<b>PETM217</b>

## PET-LF Order Codes (products in bold are normally stock in North America)

Product	Water Test Gauge	Maximum Pointer Water Test Gauge
Dial Size	<b>2.5" (63mm)</b>	<b>2.5" (63mm)</b>
Connection	<b>3/4" Female Swivel Hose Connection</b>	<b>3/4" Female Swivel Hose Connection</b>
0/160 psi/kPa	<b>PETW213LF</b>	<b>PETM213LF</b>
0/300 psi/kPa	<b>PETW217LF</b>	<b>PETM217LF</b>

Other ranges and connection sizes available upon request. For scale change, refer to How to Order Guide for scale codes.

### 2" Gas Test Gauge



### 2.5" Water Test Gauge

