

# ADJUSTABLE CLEANOUT

851 series

## SPECIFICATION

Sioux Chief 851 Series adjustable cleanout shall be used where necessary in drainage systems. Cleanout shall have a Sch. 40 hub connection, which conforms to ASTM D2665 (PVC) or D2661 (ABS). Connection to drainage system shall be made with a solvent weld joint to ABS/PVC pipe. Cleanout cover shall meet applicable load requirements for intended use. Cleanout shall include a slotted, polypropylene cleanout plug, with threaded brass insert to accept cover screw.

## MATERIALS

- adapter body: ABS or PVC
- ring/cover: nickel-bronze, tenzallo, or cast iron
- set screws: square head, 1/4-20
- cover screw: stainless steel, Phillips head, 1/4-20
- cleanout plug: slotted polypropylene with threaded brass insert

## COVER LOAD RATING

- nickel-bronze: 2,500 lbs. (medium duty)
- tenzallo: 1,250 lbs. (light duty)
- cast iron: 7,500 lbs. (heavy duty)

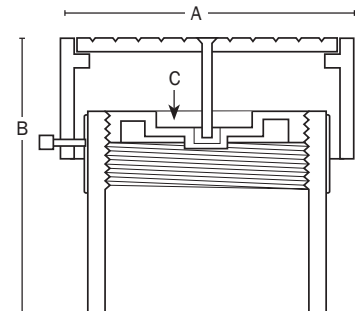
## DIMENSIONS

A: connection size	3", 4", or 6" Sch. 40 hub		
	<i>nickel/ tenz</i>	<i>cast iron</i>	<i>laminated cast iron</i>
B: ring/cover diameter			
3" cleanout	4 3/8"	---	---
4" cleanout	6"	6"	7 1/8"
6" cleanout	8 3/8"	8 1/2"	7 1/8"
C: height			
3" cleanout	3 1/2" - 4 1/2"	---	---
4" cleanout	3 3/4" - 4 3/4"	4 1/2" - 6 1/4"	4 3/4" - 6 1/2"
6" cleanout	5 1/2" - 6 3/4"	6" - 7 3/4"	6 1/4" - 8"
D: plug			
3" cleanout	3" MIP	---	---
4" cleanout	4" MIP	4" MIP	4" MIP
6" cleanout	6" MIP	6" MIP	6" MIP

Item # Submitted _____
Job Name _____
Location _____
Engineer _____
Contractor _____
PO# _____ TAG _____



851-44N



Create Item Number

**851-ABC**

e.g. 851-44NV = 4" PVC cleanout with nickel-bronze ring & cover with vandal-resistant cover screw

- |  |  |  |
|--|--|--|
| <p><b>A CONNECTION TYPE</b></p> <ul style="list-style-type: none"> <li><input type="checkbox"/> 3 ABS adapter</li> <li><input type="checkbox"/> 4 PVC adapter</li> </ul> <p><b>B CONNECTION SIZE</b></p> <ul style="list-style-type: none"> <li><input type="checkbox"/> 3 3" Sch. 40 hub</li> <li><input type="checkbox"/> 4 4" Sch. 40 hub</li> <li><input type="checkbox"/> 6 6" Sch. 40 hub</li> </ul> | <p><b>C RING &amp; COVER</b></p> <ul style="list-style-type: none"> <li><input type="checkbox"/> N nickel-bronze</li> <li><input type="checkbox"/> T tenzallo</li> <li><input type="checkbox"/> i cast iron <sup>1</sup></li> <li><input type="checkbox"/> iN nickel-bronze laminated cast iron <sup>1</sup></li> </ul> <p><small>1 NOT available with 3" connection</small></p> | <p><b>D OPTIONS (FACTORY INSTALLED)</b></p> <ul style="list-style-type: none"> <li><input type="checkbox"/> V vandal-resistant cover screws</li> <li><input type="checkbox"/> S stamped cover, specify letters <sup>2</sup></li> <li><input type="checkbox"/> C carpet marker</li> </ul> <p><small>2 NOT available with cast iron ring &amp; cover</small></p> |
|--|--|--|