

# METAL BEND SUPPORT WITH MOUNTING PLATE

»» 550-MP SERIES

Sidewinder™

## SPECIFICATION

Sioux Chief's 550-MP Series metal bend support with mounting plate shall be used where necessary to secure PEX tube at wall or floor penetrations. Metal bend support shall form a tight radius without kinking the tube. Mounting plate shall be designed with unique open corner to allow tube to be inserted after plate is installed and after tube end has been plugged. Mounting plate shall include pre-drilled hole to fit 3/8" (#3) rebar ground stake to maintain 90-degree bend radius to organize tube underground before a pour. Pilot holes along the plate perimeter shall be used when necessary to secure to any stud, joist, floor or any type of horizontal brace/bracket. Metal bend support shall be corrosion-resistant, zinc plated steel.

## INSTALLATION

Secure plate to stud or sub floor. Insert PEX tube through center of plate. Carefully bend tube towards end of bend support. Bend metal tab to trap tube from escaping. To maintain 90-degree bend radius during concrete pour, install 3/8" (#3) rebar through hole in plate, install tube bend tab to trap tube. If necessary, reinforce plate and bend support to the rebar with tie-wire or cable tie.

## MATERIALS

**Plate:** Zinc-plated steel, 18-gauge

**Bend Support:** Zinc-plated steel

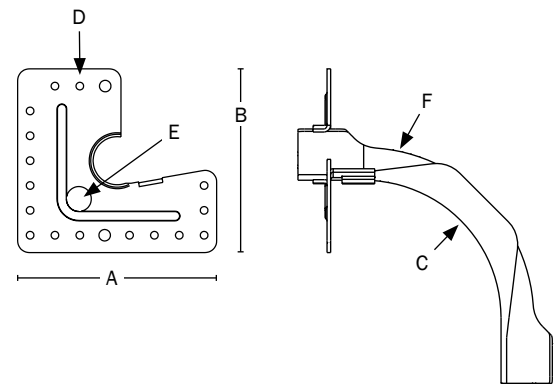
## DIMENSIONS

	550-MP2	550-MP3
<b>A:</b> Plate width	3 1/4"	3 1/4"
<b>B:</b> Plate height	3"	3"
<b>C:</b> Bend radius	2 1/2"	4 1/8"
<b>D:</b> Pilot holes	1/8"	1/8"
<b>E:</b> Hole size	0.4"	0.4"
<b>F:</b> Bend support gauge	17-ga	16-ga

ITEM # SUBMITTED	_____
JOB NAME	_____
LOCATION	_____
ENGINEER	_____
CONTRACTOR	_____
PO#	_____ TAG _____



550-MP2



US Patent #6,352,224  
Made in USA

Create Item Number

## 550-A

e.g. **550-MP2:** Metal bend support with plate for 1/2" or 3/8" PEX.

### SIZE A

**MP2** = 3/8" or 1/2" PEX bend support with plate

**MP3** = 3/4" PEX bend support with plate