

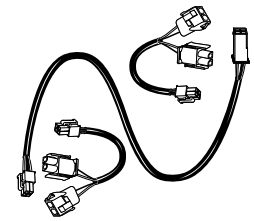
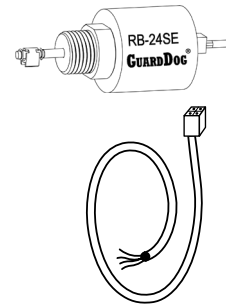
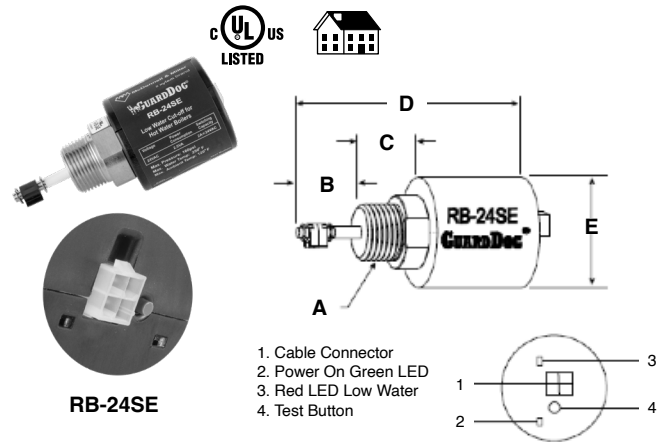
Low Water Cut-Offs - Electronic For Hot Water Boilers

RB-24SE

Low Water Cut-Offs



- Brass threads enable a secure and trouble-free installation
- Test button to confirm proper operation
- Universal wiring harness fits 100% of today's gas boilers
- -S, -A, -B and -L models provide "plug & play" installation with most residential boilers
- Compact size
- Easy to install and wire
- Automatic reset feature resumes operations after a power outage when water is on probe
- Green LED indicating power is on
- Red LED indicating low water condition
- Solid state operation
- 15,000 ohms probe sensitivity
- Maximum ambient temperature 120°F (49°C)
- Maximum water temperature 250°F (121°C)
- Maximum water pressure of 160 psi (11.2 kg/cm²)



Electrical Ratings

Voltage	Power Consumption	Load Switching
24 VAC	2.5 VA	2 A at 24 VAC

Note: A 15 mA minimum current draw is required.

Dimensions, in. (mm)

A NPT	B	C	D	E
$\frac{3}{4}$ (19.1)	$1\frac{9}{32}$ (32.6)	$1\frac{5}{32}$ (29.3)	$4\frac{15}{32}$ (113.8)	2 (50.8)

Ordering Information

Model Number	Part Number	Description
RB-24SE	144701	Residential LWCO
RB-24SE-A	144723	Residential LWCO w/vent damper harness
RB-24SE-B	144724	Residential LWCO w/burner control harness
RB-24SE-S	144725	Residential LWCO w/control board harness
RB-24SE-L	144726	Residential LWCO w/burner control harness

