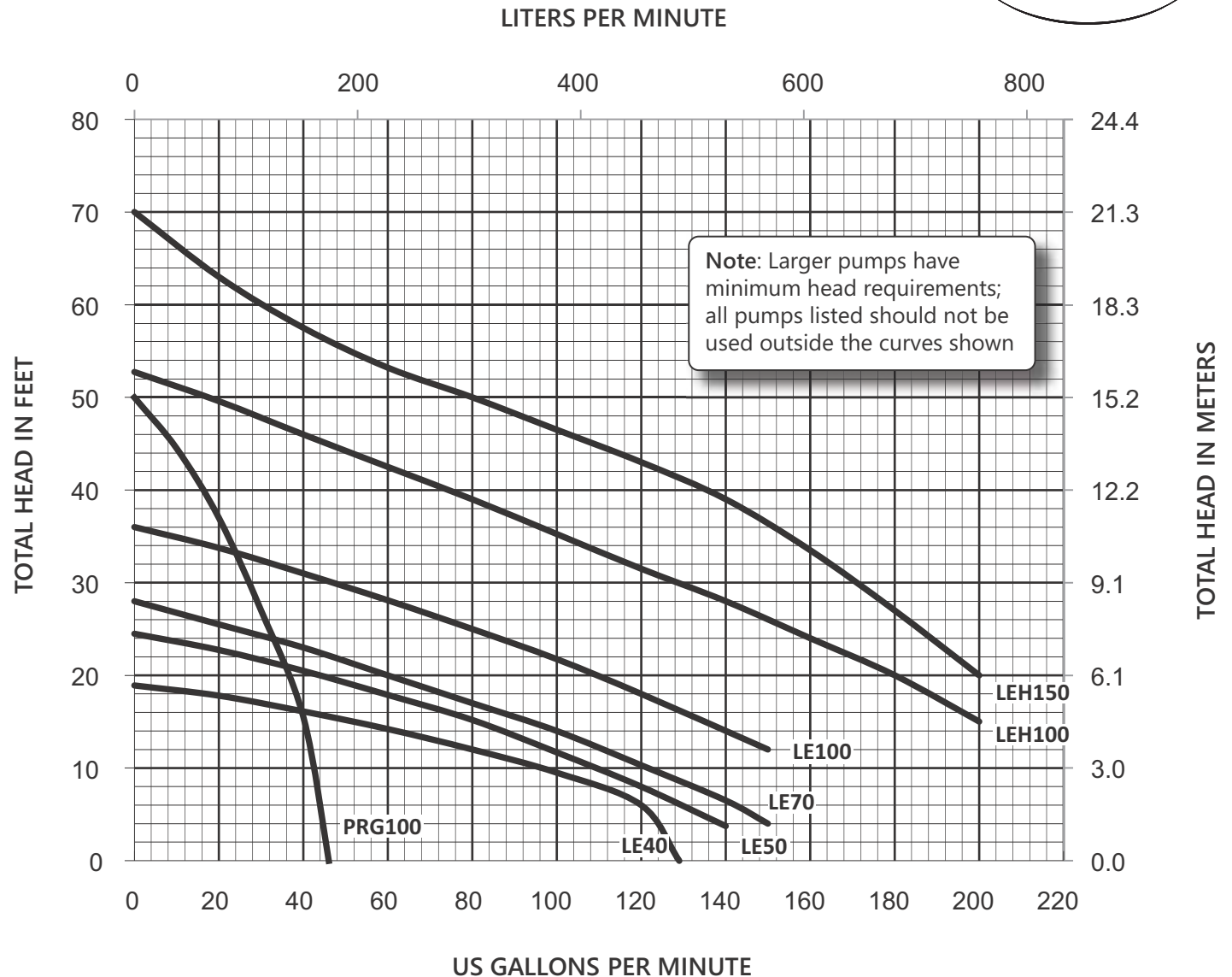
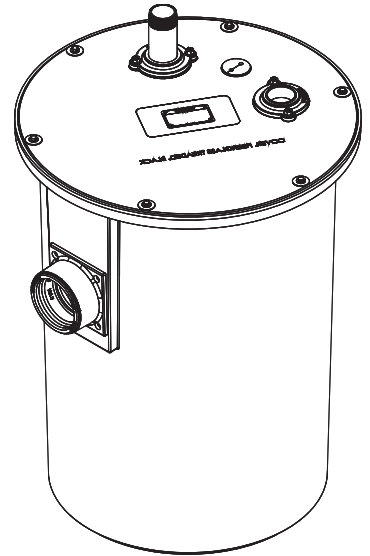


Pump Specification

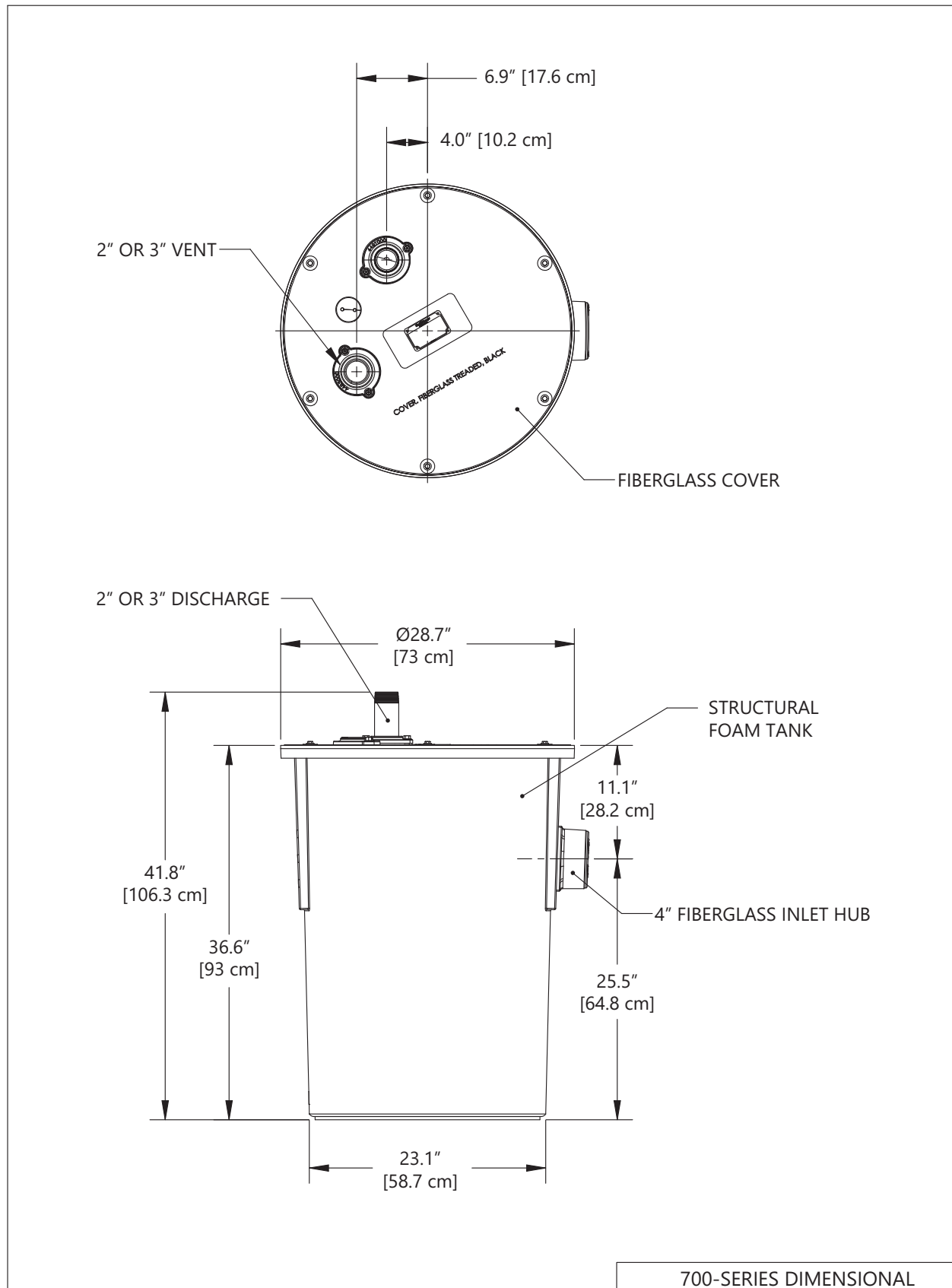
700-Series

Pre-assembled Simplex Sewage System

24" x 36", 70 Gallons

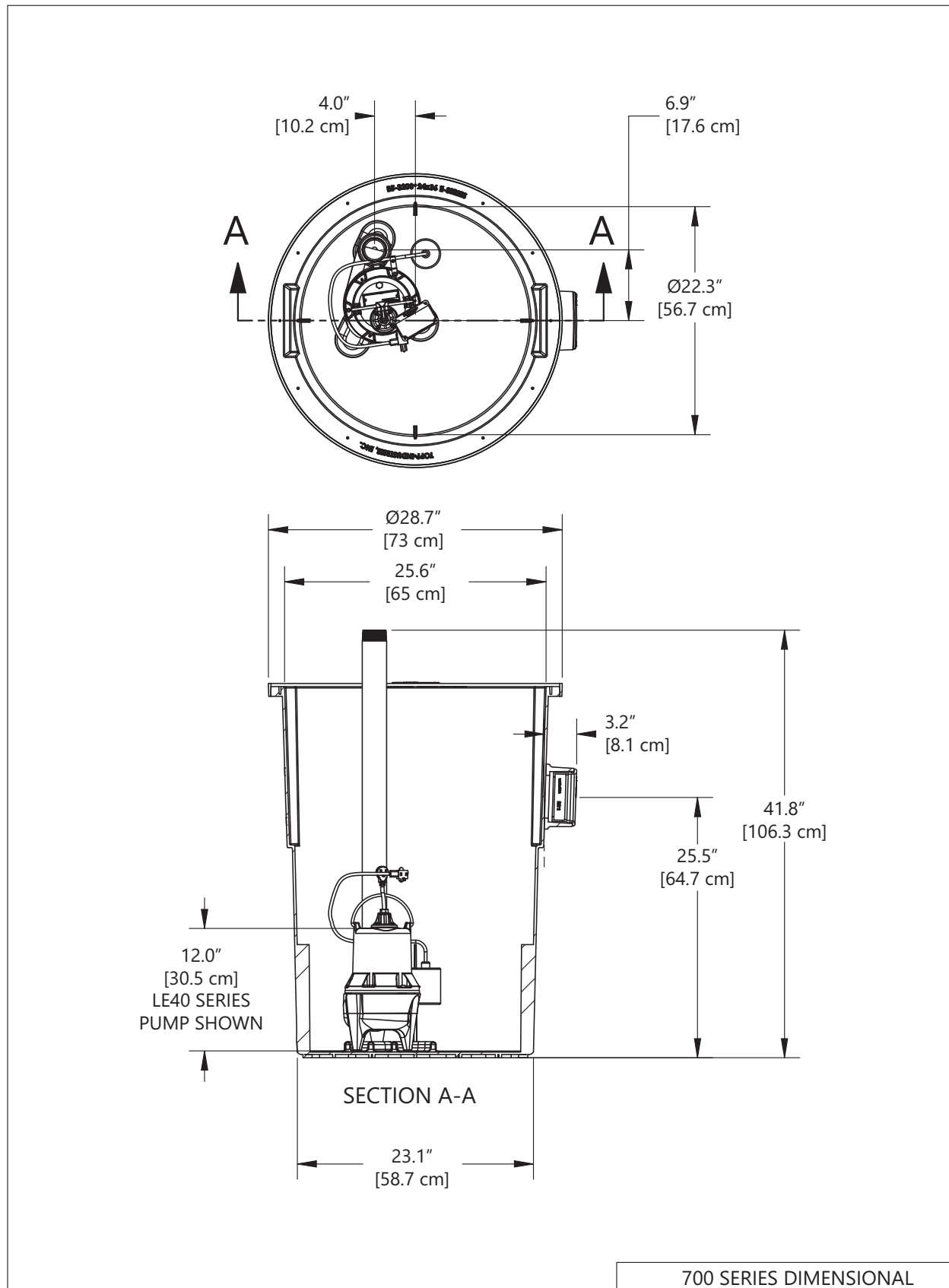


700-Series Dimensional Data



700-SERIES DIMENSIONAL

700-Series Dimensional Data



700 SERIES DIMENSIONAL

700-Series Electrical Data

MODEL	HP	VOLTAGE	PHASE	SF	FULL LOAD AMPS	LOCKED ROTOR AMPS	THERMAL OVERLOAD TEMP	STATOR WINDING CLASS	DISCHARGE	AUTOMATIC
702/LE41A	4/10	115	1	1.00	12	22	105°C / 221°F	B	2"	YES
702/LE51A	1/2	115	1	1.00	12	22.5	105°C / 221°F	B	2"	YES
702/LE52A	1/2	208-230	1	1.00	6.8	12	105°C / 221°F	B	2"	YES
702/LE71A	3/4	115	1	1.00	12	28	105°C / 221°F	B	2"	YES
702/LE72A	3/4	208-230	1	1.00	6	13	105°C / 221°F	B	2"	YES
702/LE102A	1	208-230	1	1.00	8	21	105°C / 221°F	B	2"	YES
702/LEH102A	1	230	1	1.00	12	28.6	120°C / 248°F	B	2"	YES
702/LEH152A	1.5	208-230	1	1.00	15	53	135°C / 275°F	B	2"	YES
703/LE41A	4/10	115	1	1.00	12	22	105°C / 221°F	B	3"	YES
703/LE51A	1/2	115	1	1.00	12	22.5	105°C / 221°F	B	3"	YES
703/LE52A	1/2	208-230	1	1.00	6.8	12	105°C / 221°F	B	3"	YES
703/LE71A	3/4	115	1	1.00	12	28	105°C / 221°F	B	3"	YES
703/LE72A	3/4	208-230	1	1.00	6	13	105°C / 221°F	B	3"	YES
703/LE102A	1	208-230	1	1.00	8	21	105°C / 221°F	B	3"	YES
703/LEH102A	1	230	1	1.00	12	28.6	120°C / 248°F	B	3"	YES
702/PRG101A	1	115	1	1.00	12	47.5	105°C / 221°F	B	2"	YES
702/PRG102A	1	230	1	1.00	6	23.7	105°C / 221°F	B	2"	YES

700-Series Technical Data

TANK	HEAVY-DUTY POLYETHYLENE BASIN
COVER	COMPRESSION MOLDED FIBERGLASS
INLET HUB	4" (PRE-ASSEMBLED)
DISCHARGE PIPING	SCHEDULE 80 PVC (GALVANIZED OR STAINLESS STEEL OPTIONAL)
PUMP RESTRAINT	TORQUE-STOPPS SECURE PUMP LEGS
CONTROL PANEL	PIGGYBACK FLOAT SWITCH
IMPELLER	SEE INDIVIDUAL PUMP MODEL SPEC SHEET
SOLIDS HANDLING SIZE	SEE INDIVIDUAL PUMP MODEL SPEC SHEET
PAINT	SEE INDIVIDUAL PUMP MODEL SPEC SHEET
MAX LIQUID TEMP	SEE INDIVIDUAL PUMP MODEL SPEC SHEET
MAX STATOR TEMP	SEE INDIVIDUAL PUMP MODEL SPEC SHEET
THERMAL OVERLOAD	SEE INDIVIDUAL PUMP MODEL SPEC SHEET
POWER CORD TYPE	SEE INDIVIDUAL PUMP MODEL SPEC SHEET
MOTOR HOUSING	SEE INDIVIDUAL PUMP MODEL SPEC SHEET
VOLUTE	SEE INDIVIDUAL PUMP MODEL SPEC SHEET
SHAFT	SEE INDIVIDUAL PUMP MODEL SPEC SHEET
HARDWARE	SEE INDIVIDUAL PUMP MODEL SPEC SHEET
O-RINGS	SEE INDIVIDUAL PUMP MODEL SPEC SHEET
MECHANICAL SEAL	SEE INDIVIDUAL PUMP MODEL SPEC SHEET
MIN BEARING LIFE	SEE INDIVIDUAL PUMP MODEL SPEC SHEET

700-Series Specifications

1.01 SYSTEM

The simplex ejector system shall be model _____ as manufactured by Liberty Pumps, Bergen, NY or equal. The system shall be factory pre-assembled with pumps and automatic control(s) pre-mounted requiring no system assembly at job site.

2.01 BASIN

The basin shall be constructed of heavy-duty polyethylene. Dimensions shall be 24" diameter x 36" deep and shall have a total capacity of 70 US gallons. The inlet hub shall be 4" and pre-assembled to basin. The basin shall have "torque-stops" to locate and retain the pump in its proper position.

3.01 COVER

The cover shall be constructed of fiberglass, 28" in diameter, and shall have _____ (2" or 3") discharge and vent flange. All cover hardware shall be stainless steel.

4.01 PUMP

See specific LE-Series, LEH-Series, or PRG-Series literature for pump performance and technical specifications. See sewage accessories and controls literature for alarms and other optional equipment.

5.01 WARRANTY

Standard limited warranty shall be 3 years.