

# **LAARS MINI-THERM<sup>®</sup> JX**

**Gas-Fired Residential  
Hydronic Boiler**



**PERFECT BALANCE OF  
TECHNOLOGY, EFFICIENCY  
& VALUE**

**LAARS<sup>®</sup>**   
**Heating Systems Company**

**Built to be the Best<sup>®</sup>**

# LAARS MINI-THERM JX

## PROVEN INNOVATION

The Laars Mini-Therm JX is a reliable gas-fired residential boiler with plenty of capacity to keep even the largest home comfortable on the coldest days. The compact boiler has an efficient low-mass heat exchanger and a super-quick heating response to deliver years of warmth and comfort to your home.



### Reliable Heating with a 20 Year Warranty

Field proven long-life heat exchanger design offers dependable performance, year after year



### Energy Saving "Economy Mode" Built-In

Economy mode optimizes fuel use and reduces energy bills over time by tracking a home's heat use pattern and adjusting boiler water temperature, up or down, as needed



### Environmentally Friendly

Reduced fuel use and lower emission levels as compared to older, low efficient boilers



### Easy to Install and Maintain

New or retrofit, the Mini-Therm meets the need with an impressive array of built in features and reliable field proven components



### Long Life Hybrid Heat Exchanger

The right combination of copper and cast-iron construction results in a light weight, responsive, and long lasting heat exchanger

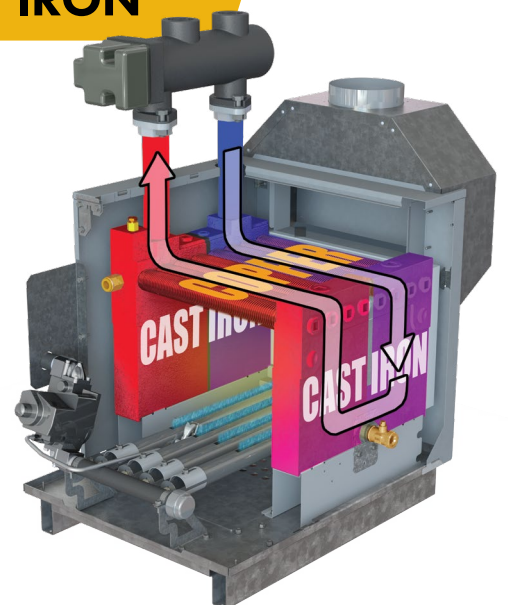


### Designed and Built at the Laars Headquarters in Rochester, NH USA

## COMBINED BENEFITS OF COPPER & CAST IRON

The Mini-Therm JX has a unique, field-proven heat exchanger design that intelligently combines finned copper tubing with cast iron "wet walls" to create a perfect balance of quick heat transfer and stored heat:

- Copper transfers heat up to 7x faster than cast iron for a faster heating response
- Cast iron wet walls store excess heat to minimize short cycling - increasing efficiency and heat exchanger life
- Mini-Therm JX is smaller & lighter than traditional cast iron boilers making installation and maintenance much easier



# EXCEPTIONAL VALUE - HIGH PERFORMANCE

## FLEXIBLE INSTALLATION



Compact, Light Weight Design!

You spoke and we listened! We redesigned the Mini-Therm to meet the needs of the modern home, for both the homeowner and contractor.

- Great for new or replacement jobs
- Easy to install and maintain
- Standard tapping locations make this a simple retrofit for most existing installations
- Compact footprint and light weight
  - Often times reduces the install from a two person to a one person job
- Category I Chimney Vent
  - Includes vent damper, and integral draft diverter
- Optional power venter for side wall venting
- Non-combustible base

## MINI-THERM JX CONTROL ADVANTAGE

- ✓ Integral low water cut off, manual or automatic reset mode
- ✓ Digital temperature display
- ✓ Contacts to control three pumps (boiler, system, DHW)
- ✓ Economy modes auto adjusts water temperatures to reduce fuel use
- ✓ Outdoor reset capability
- ✓ Spark to pilot ignition
- ✓ Low voltage terminal block for ease of installation and wiring
- ✓ Domestic hot water priority for indirect water heater installations
- ✓ Powered relay contacts for external devices (power venter, louvers, fans, etc.)



## THE LAARS LOW LOSS HEADER SYSTEM

- Maintains the correct temperature rise (Delta-T) across the heat exchanger - offering improved performance and longer heat exchanger life
- Protects the heat exchanger from low return water temperatures
- Allows for direct replacement of traditionally piped cast iron boilers
- Low loss header comes standard on 125, 150, and 200 MBH models
- Optional on 50, 75 and 100 MBH models



# LAARS MINI-THERM® JX SPECIFICATIONS

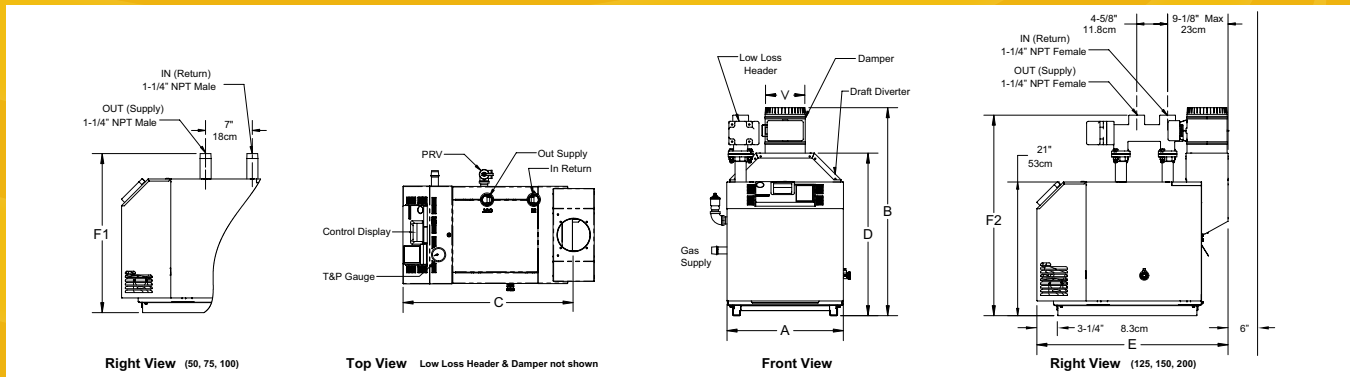
## Sizing Data

Size	Input		AHRI Certified Heating Capacity Nat Gas		Net AHRI Rating		AHRI Certified AFUE %	Water Conn.	Gas Conn.
	MBTU/h	kW	MBTU/h	kW	MBTU/h	kW	%	in.	in.
50	50	14.7	42	12.6	37	10.8	84	1-1/4	3/4
75	75	22.0	63	18.8	55	16.1	84	1-1/4	3/4
100	100	29.3	84	24.9	73	21.4	84	1-1/4	3/4
125	125	36.6	105	31.1	91	26.7	84	1-1/4	3/4
150	150	44.0	126	37.2	110	32.2	84	1-1/4	3/4
200	199	58.3	168	49.2	146	42.8	84	1-1/4	3/4

Note: The Net AHRI Water Ratings shown are based on a piping and pickup allowance of 1.15.

## Dimensional Data

Size	A		B		C		D		E		F1		F2		V		Water Conn.	Gas Conn.
	in.	cm	in.	cm	in.	cm	in.	cm	in.	cm	in.	cm	in.	cm	in.	cm	(inches)	(inches)
50	11-3/4	30	31-5/8	80	25-1/8	64	24-3/4	63	27-5/8	70	24-7/8	63	-	-	4	10	1-1/4	3/4
75	14-1/2	37	31-5/8	80	25-5/8	65	24-3/4	63	28-5/8	73	24-7/8	63	-	-	5	13	1-1/4	3/4
100	17-3/8	45	32-1/8	82	25-1/2	65	25-3/8	65	28-5/8	73	24-7/8	63	-	-	5	13	1-1/4	3/4
125	20-1/8	52	32-1/8	82	25	64	25-3/8	65	28-5/8	73	-	-	31	79	6	15	1-1/4	3/4
150	23	59	32-1/8	82	25	64	25-3/8	65	28-5/8	73	-	-	31	79	6	15	1-1/4	3/4
200	28-3/8	73	32-1/4	82	24-5/8	63	26-1/4	67	28-5/8	73	-	-	31	79	7	18	1-1/4	3/4



## ACCESSORIES

PN: CA019600	See IOM for part number	See IOM for part number	PN: CA019400	PN: CA019501 (50-100) CA019502 (125 - 200)	PN: CA005400
Low Loss Header with Integral Pump (50-100)	Propane Conversion Kit	High Altitude Conversion Kit	DHW Pump Relay Kit	Power Vent Kit*	Outdoor Air Sensor

\* Includes: Power venter, through wall vent terminal, and necessary reducers.



**LAARS®**  
Heating Systems Company

Customer Service and Product Support: 800.900.9276 • Fax 800.559.1583

Headquarters: 20 Industrial Way, Rochester, NH 03867 • 603.335.6300 • Fax 603.335.3355

9 Bridgen Gate, Halton Hills, Ontario, Canada, L7G 0A3 • 905.203.0600 • Fax 905.636.0666

[www.LAARS.com](http://www.LAARS.com)