

Submittal Data

PROJECT:	UNIT TAG:	QUANTITY:
REPRESENTATIVE: _____	TYPE OF SERVICE:	DATE: _____
ENGINEER:	SUBMITTED BY:	DATE:
CONTRACTOR:	APPROVED BY:	DATE:
	ORDER NO.:	DATE:

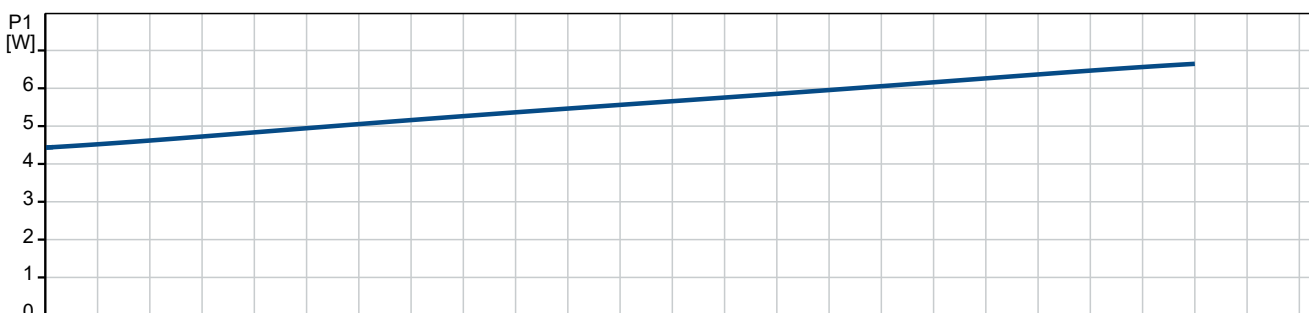
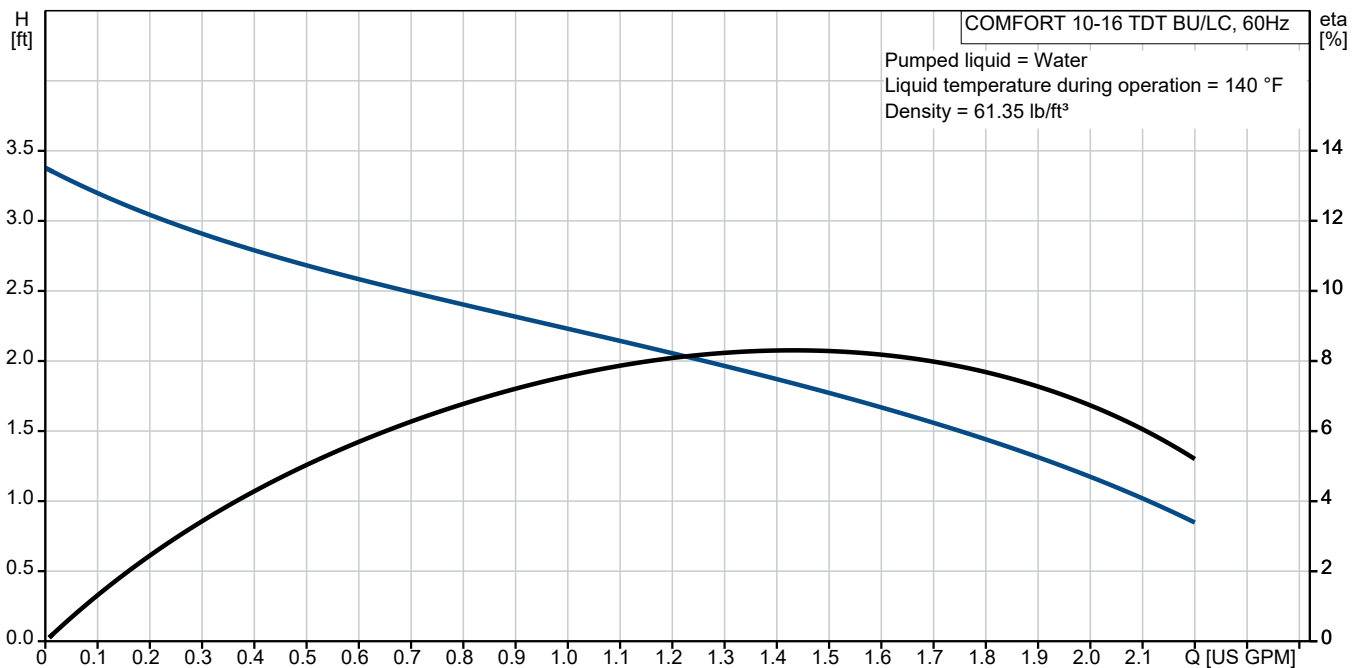


COMFORT 10-16 TDT BU/LC

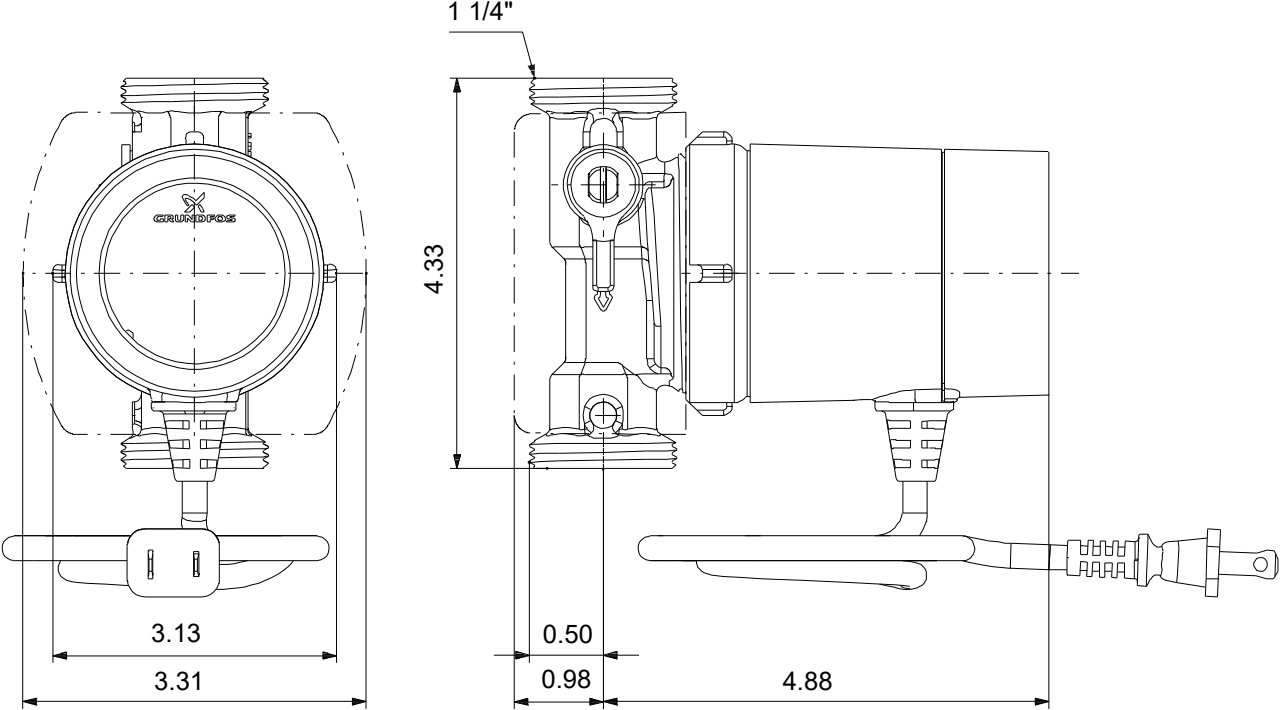
COMFORT is an efficient circulator designed for hot-water recirculation in domestic buildings with a dedicated return line. It features a built-in temperature sensor and control modes to limit heat losses.

Note! Product picture may differ from actual product

Conditions of Service		Pump Data		Motor Data	
Liquid:	Water	Liquid temperature range:	34.9 .. 179.6 °F	Max. power input:	6 W
Temperature:	140 °F	Pipe connection:	1 1/4" NPSM	Mains frequency:	60 Hz
Specific Gravity:	0.985	Product number:	93094713	Enclosure class:	IP44
				Thermal protection:	ELEC



Submittal Data



Materials:
Pump housing: Brass
Pump housing: ASTM C28500
Impeller: Composite

Qty. Description

1 COMFORT 10-16 TDT BU/LC



Note! Product picture may differ from actual product

Product No.: [93094713](#)

COMFORT TDT pumps are efficient circulators designed for hot-water recirculation in domestic buildings with a dedicated return line. The pumps are compatible with all types of water heater tanks, tankless systems, solar or heat pumps regardless of whether the system has mixing or tampering valves installed or not.

The pump features a compact housing and a permanent magnet with an integrated control unit. The spherical rotor, equipped with an impeller, ensures optimal functionality supported by a robust single-bearing ball system. The drinking-water approved brass pump housing guarantees both safety and reliability.

COMFORT TDT variants offer an integrated timer that allows you to manually customise the operating time of the pump.

It eliminates unnecessary heat loss in the system by restricting the operation of hot-water recirculation when no water consumption is expected.

The user-friendly interface provides a convenient way of setting the pump and timer.

To reduce system heat loss even further, COMFORT TDT makes it possible to combine timer and temperature control modes.

The temperature control mode automatically activates the pump when the internal temperature sensor detects that the water temperature drops below a certain level.

The control mode automatically adjusts the on/off temperature based on the maximum temperature measured in the system.

The product offers:

- QH performance designed for single and multi-family homes, depending on the required duty point to accommodate for heat losses in specific pipe layout.
- Low power consumption and silent operation.
- Compliance with pipe manufacturer's flow velocity limit recommendations due to a low operating flow, for 1/2" and 3/4" copper or PEX pipes.
- Eco brass pump housing and stainless-steel rotor that provide safe and reliable operation.
- Drinking-water approval, enabling the product to meet unlimited water hardness requirement.
- A design that makes it easy to clean limescale and foreign deposits by removing the pump head.
- Dry-running protection to prevent failure if system runs out of water.
- Multiple installation positions, even with the pump head pointing downwards.
- A pump head designed to fit all brass pump housings of the same design from different brands (such as WILO, LOWARA, LAING and VORTEX). The design enables easy installation and removes the need to replace the pump housing and drain the system.
- Easy installation with included line cord for electrical connection which does not require ground connection in the socket due to the pump having double insulation.
- Isolating and check valves for reduced installation cost.
- Insulation shell for reduced heat loss.
- An optional venting flange, providing a simple way to vent or drain the system without the need for permanently installing an additional venting valve.
- Fittings for pipe connections in different sizes and types.



Company name:

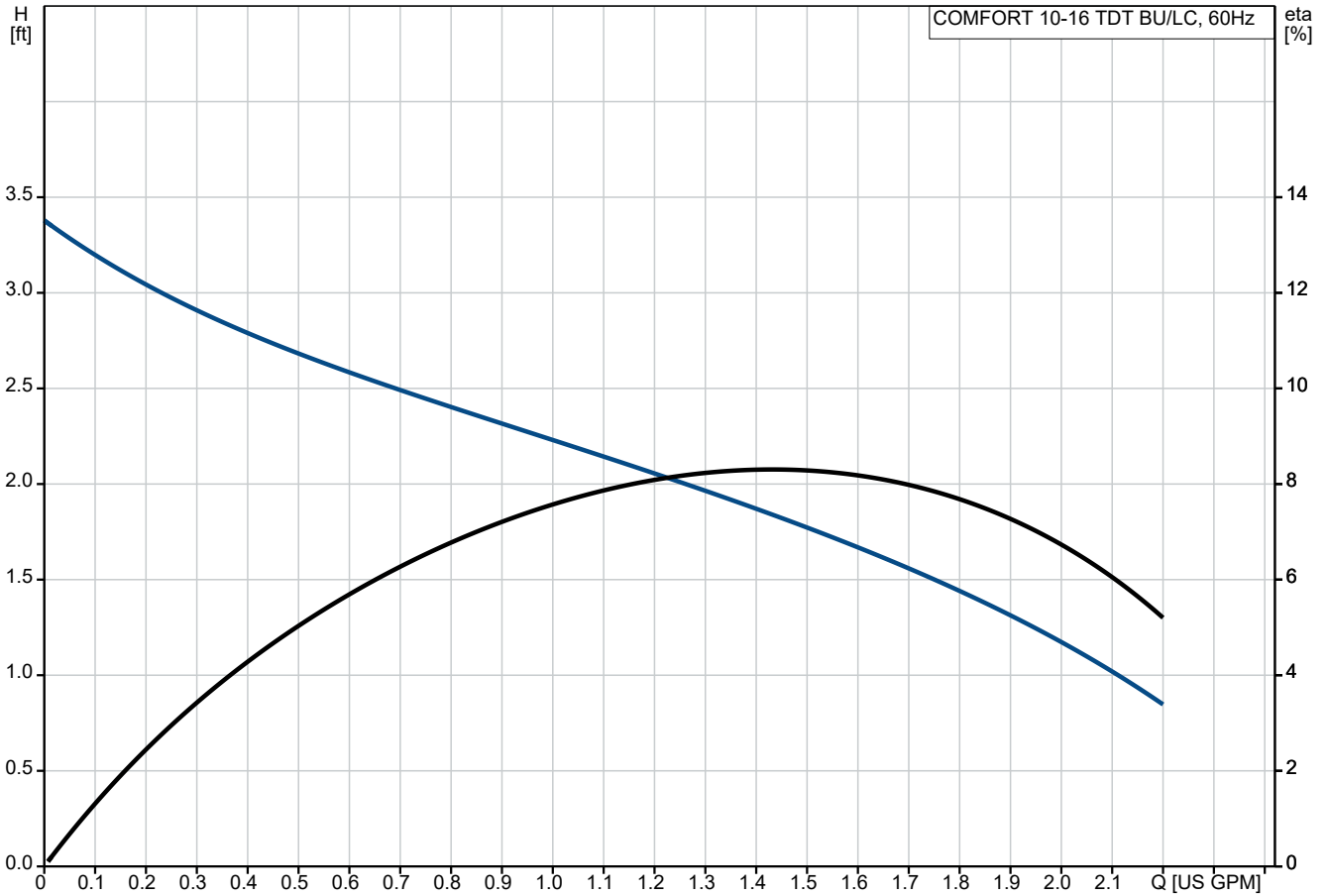
Created by:

Phone:

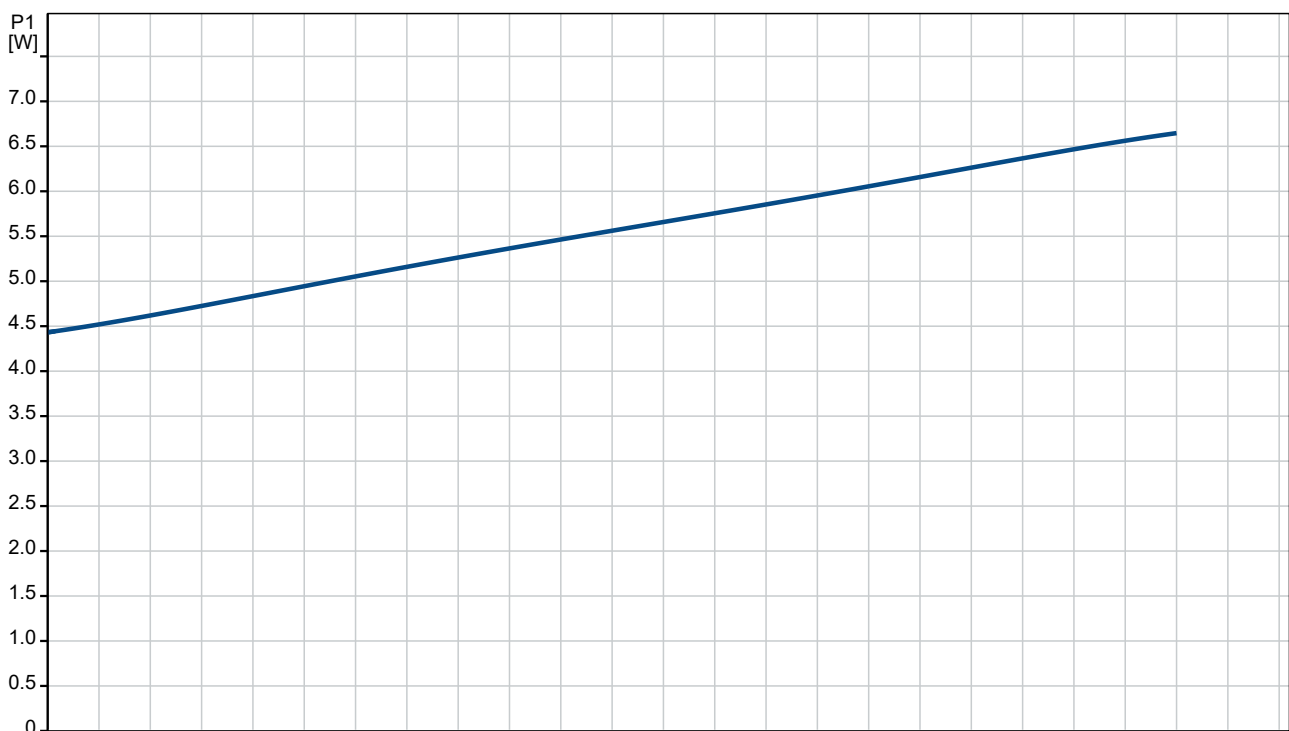
Date:

19/07/2024

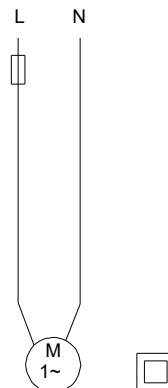
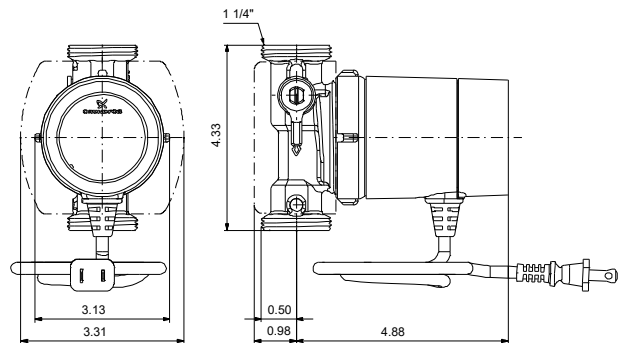
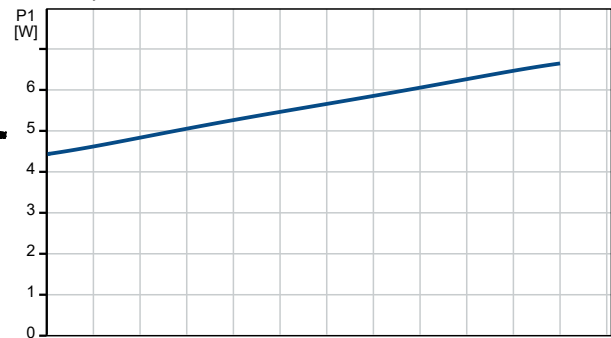
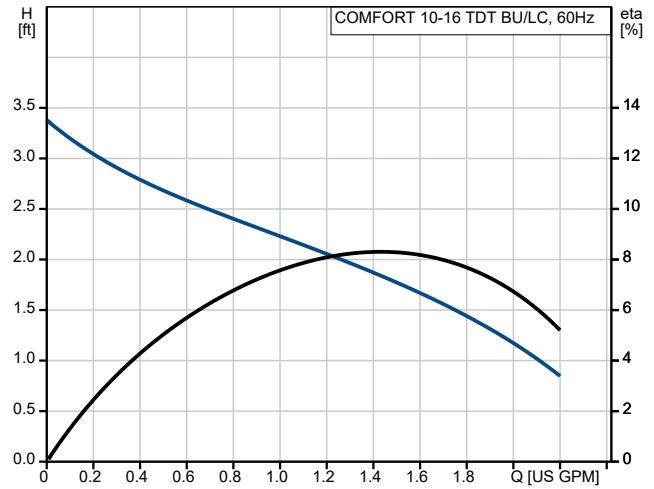
93094713 COMFORT 10-16 TDT BU/LC 60 Hz



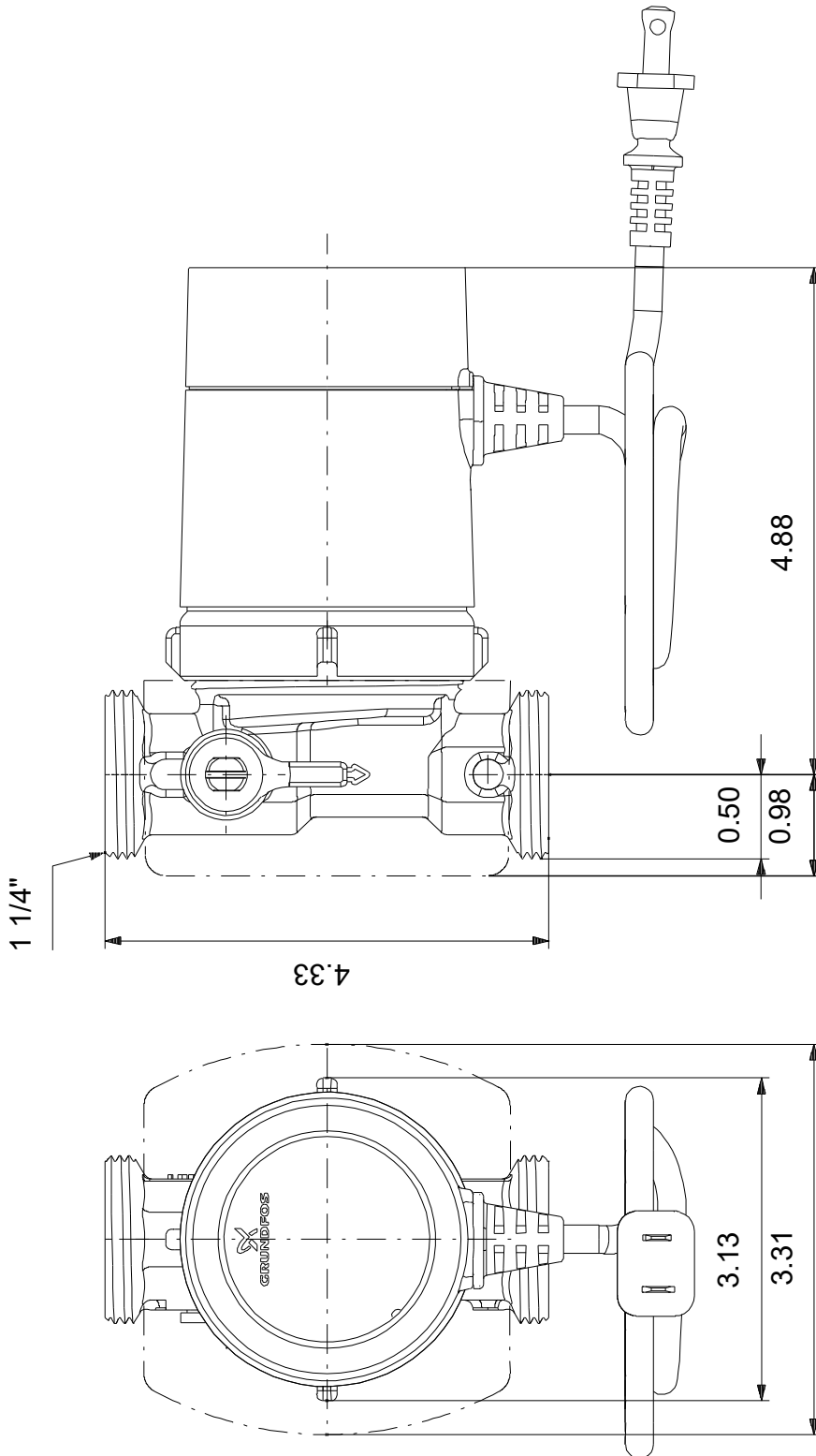
Pumped liquid = Water
Liquid temperature during operation = 140 °F
Density = 61.35 lb/ft³



Description	Value
General information:	
Product name:	COMFORT 10-16 TDT BU/LC
Product No:	93094713
EAN number:	5715467693867
Price:	
Technical:	
Rated flow:	1.45 US GPM
Rated head:	1.841 ft
Head max:	5.25 ft
TF class:	95
Approvals:	UL, CSA
Materials:	
Pump housing:	Brass
Pump housing:	ASTM C28500
Impeller:	Composite
Impeller:	PES+30% GF
Installation:	
Maximum operating pressure:	145.04 psi
Type of connection:	1 1/4" NPSM
Pipe connection:	1 1/4" NPSM
Pressure rating for connection:	PN 10
Port-to-port length:	4 3/8 in
Liquid:	
Pumped liquid:	Water
Liquid temperature range:	34.9 .. 179.6 °F
Selected liquid temperature:	140 °F
Density:	61.35 lb/ft³
Electrical data:	
Max. power input:	6 W
Mains frequency:	60 Hz
Rated voltage:	1 x 115-230 V
Current in speed 3:	0.1 A
Enclosure class (IEC 34-5):	IP44
Insulation class (IEC 85):	F
Built-in motor protection:	NONE
Thermal protec:	ELEC
Cable type:	Connecting cord with plug
Type of cable plug:	NEMA 1-15P
Others:	
Net weight:	3.17 lb
Gross weight:	3.4 lb
Country of origin:	DE
Custom tariff no.:	8413.70.2005



93094713 COMFORT 10-16 TDT BU/LC 60 Hz



Note! All units are in [in] unless others are stated.
Disclaimer: This simplified dimensional drawing does not show all details.

93094713 COMFORT 10-16 TDT BU/LC 60 Hz



Note! All units are in [in] unless others are stated.

