

# Submittal Data

PROJECT:	UNIT TAG:	QUANTITY:
REPRESENTATIVE: _____	TYPE OF SERVICE:	DATE: _____
ENGINEER:	SUBMITTED BY:	DATE:
CONTRACTOR:	APPROVED BY:	DATE:
	ORDER NO.:	DATE:

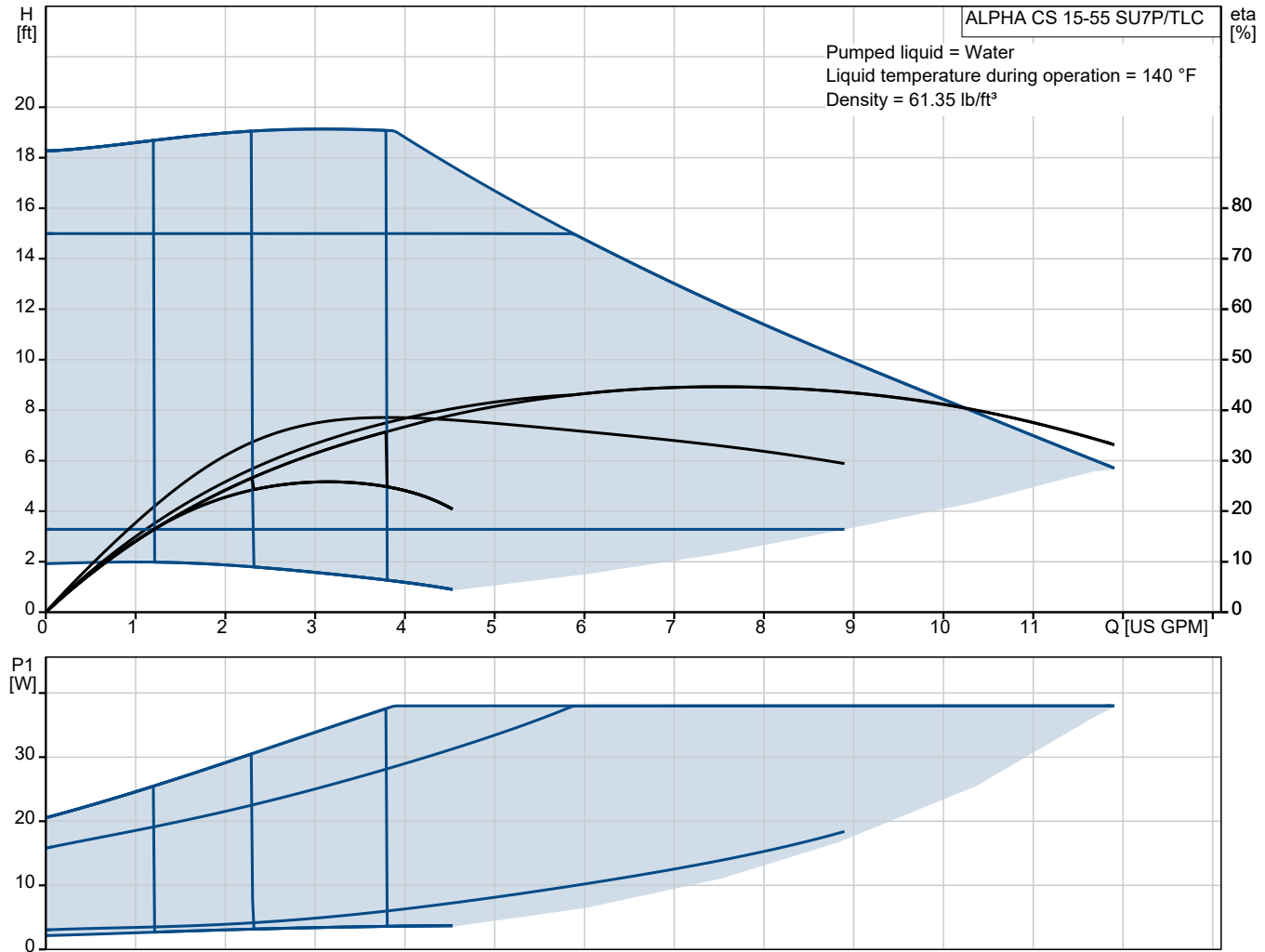
## ALPHA CS 15-55 SU7P/TLC



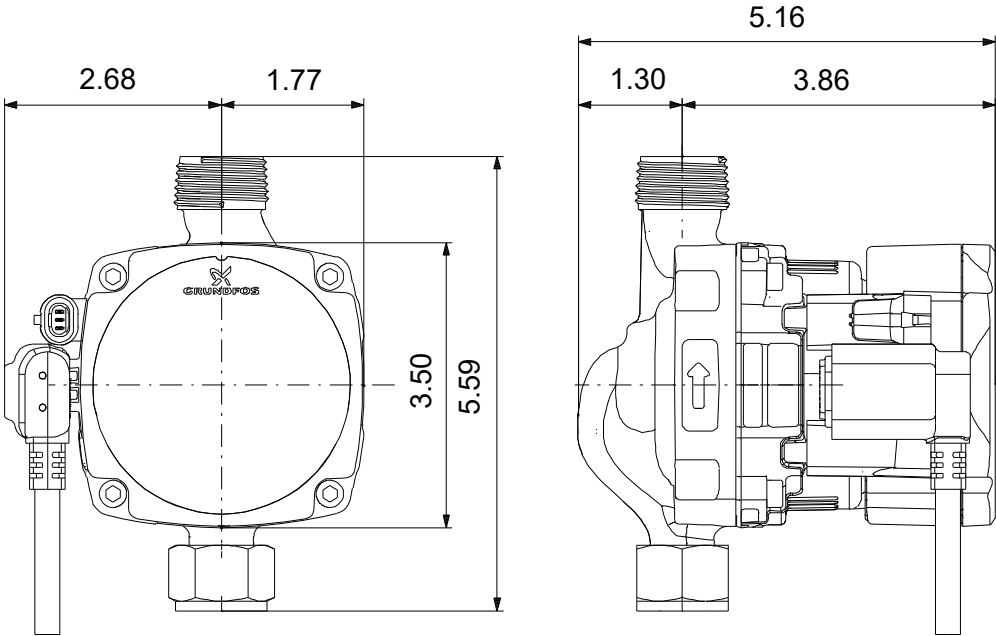
ALPHA CS is designed for domestic hot-water recirculation systems without a dedicated return line. It comes with a bypass valve with a thermal actuator and offers scheduling via the built-in digital timer.

Note! Product picture may differ from actual product

Conditions of Service		Pump Data		Motor Data	
Liquid:	Water	Liquid temperature range:	35.6 .. 203 °F	Mains frequency:	60 Hz
Temperature:	140 °F	Maximum ambient temperature:	131 °F		
Specific Gravity:	0.985	Product number:	92603114		



# Submittal Data



- Materials:**  
Pump housing: Stainless steel  
Pump housing: ASTM A351-CF8  
Impeller: Composite

**Qty. Description**

1 ALPHA CS 15-55 SU7P/TLC is a high-efficiency circulator fitted with a stainless-steel housing. It is designed for circulating domestic hot water in systems without a dedicated return line.



Note! Product picture may differ from actual product

Product No.: [92603114](#)

It features an integrated digital timer which enables scheduling through the Grundfos GO app and eliminates the need for a physical programmable timer. It also features the ability for the homeowner to set their own schedule through the Grundfos HOME App.

The AUTOADAPT setting offers a simplified setup process removing the need to decide what setpoint to use.

With FLOWSENSE, ALPHA COMFORT SYSTEM can solve a number of challenges commonly found in domestic hot-water recirculation systems.

By using flow limits, ALPHA COMFORT SYSTEM reduces the risk of flow-accelerated corrosion in the distribution pipes by reducing the flow velocities while still providing enough flow to start the most common tankless boilers.

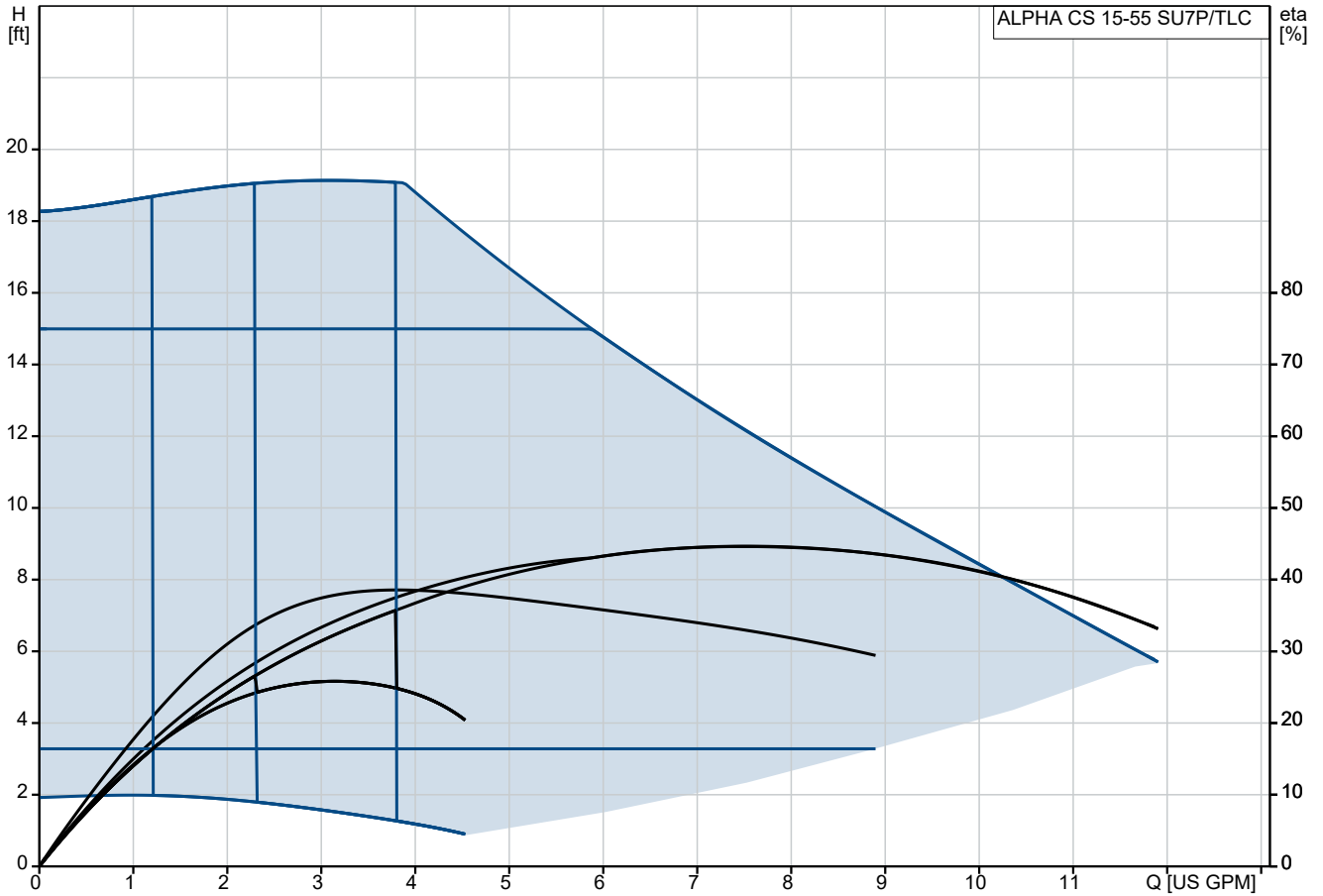
ALPHA COMFORT SYSTEM also helps reduce sudden increases in shower temperature sometimes seen in systems without a dedicated recirculation line. It will slowly increase the flow upon startup, giving enough time for the shower valve to react.



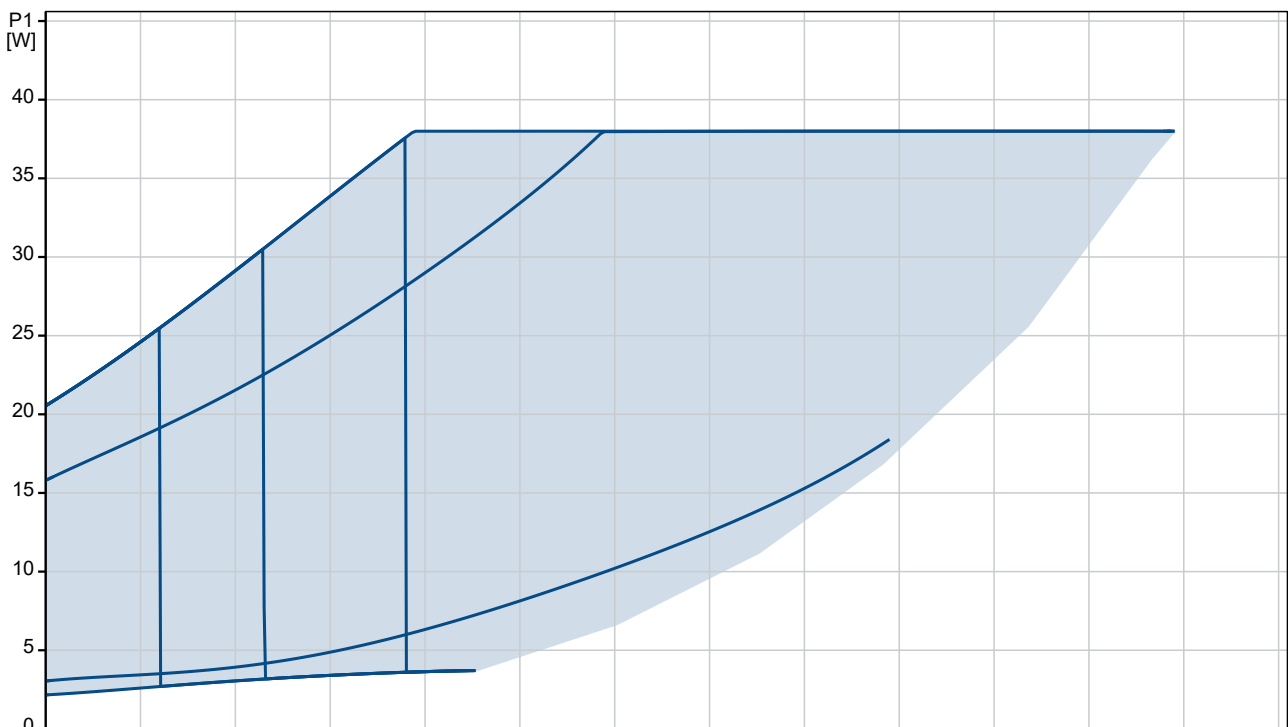
Company name:  
Created by:  
Phone:

Date: 19/07/2024

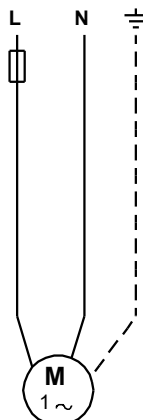
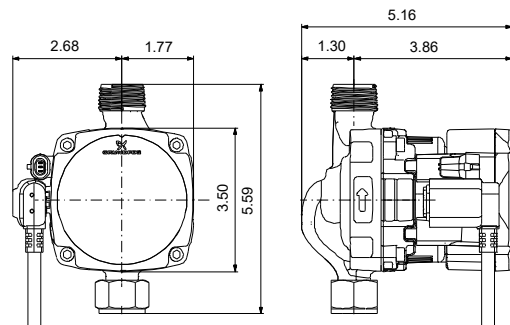
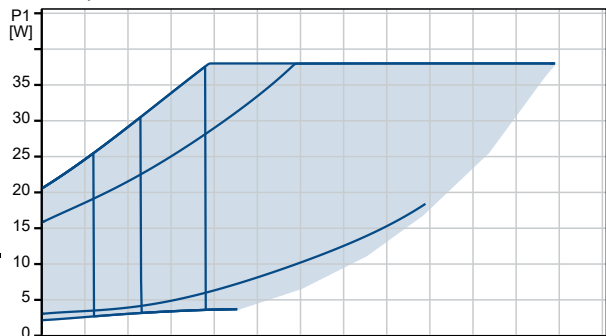
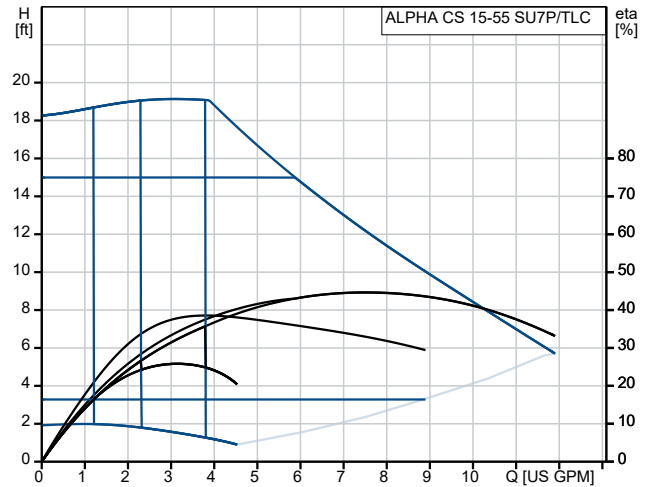
### 92603114 ALPHA CS 15-55 SU7P/TLC 60 Hz



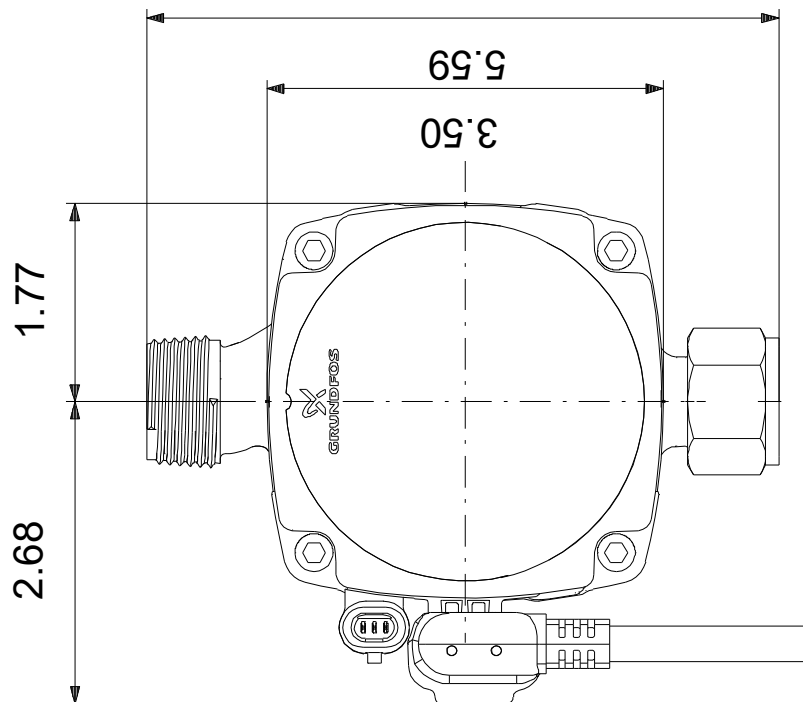
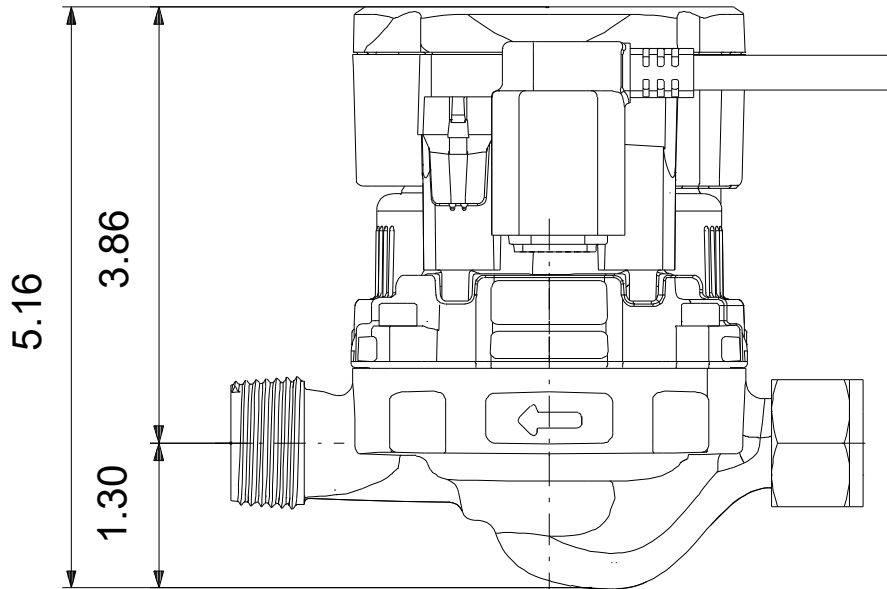
Pumped liquid = Water  
Liquid temperature during operation = 140 °F  
Density = 61.35 lb/ft<sup>3</sup>



Description	Value
<b>General information:</b>	
Product name:	ALPHA CS 15-55 SU7P/TLC
Product No:	92603114
EAN number:	5715116925264
Price:	
<b>Technical:</b>	
Rated flow:	8.37 US GPM
Maximum flow:	13.6 US GPM
Rated head:	11.16 ft
Pump head orientation:	9H
TF class:	95
Approvals:	FCC,cULus,cULDWus,cUPC
Model:	B
<b>Materials:</b>	
Pump housing:	Stainless steel
Pump housing:	EN 1.4308
Pump housing:	ASTM A351-CF8
Impeller:	Composite
Impeller:	PESU 30% gf + PESU-GF20%
<b>Installation:</b>	
Range of ambient temperature:	32 .. 131 °F
Maximum operating pressure:	174.92 psi
Pipe connection standard:	ANSI B1.20.1
Type of inlet connection:	NPSL(F)
Type of outlet connection:	NPT
Size of inlet connection:	3/4 inch
Size of outlet connection:	3/4 inch
Pressure rating for connection:	PN 12
Port-to-port length:	5.59 in
<b>Liquid:</b>	
Pumped liquid:	Water
Liquid temperature range:	35.6 .. 203 °F
Selected liquid temperature:	140 °F
Density:	61.35 lb/ft <sup>3</sup>
<b>Electrical data:</b>	
P1 min.:	2 W
P1 max.:	38 W
Mains frequency:	60 Hz
Rated voltage:	1 x 115 V
Minimum current consumption:	0.06 A
Maximum current consumption:	0.71 A
Enclosure, Type:	2
Insulation class (IEC 85):	F
Thermal protection:	Electronic
<b>Others:</b>	
Net weight:	5.05 lb
Gross weight:	5.25 lb
Shipping volume:	0.25 ft <sup>3</sup>
Sales region:	Namreg
Country of origin:	DK
Custom tariff no.:	8413.70.2005

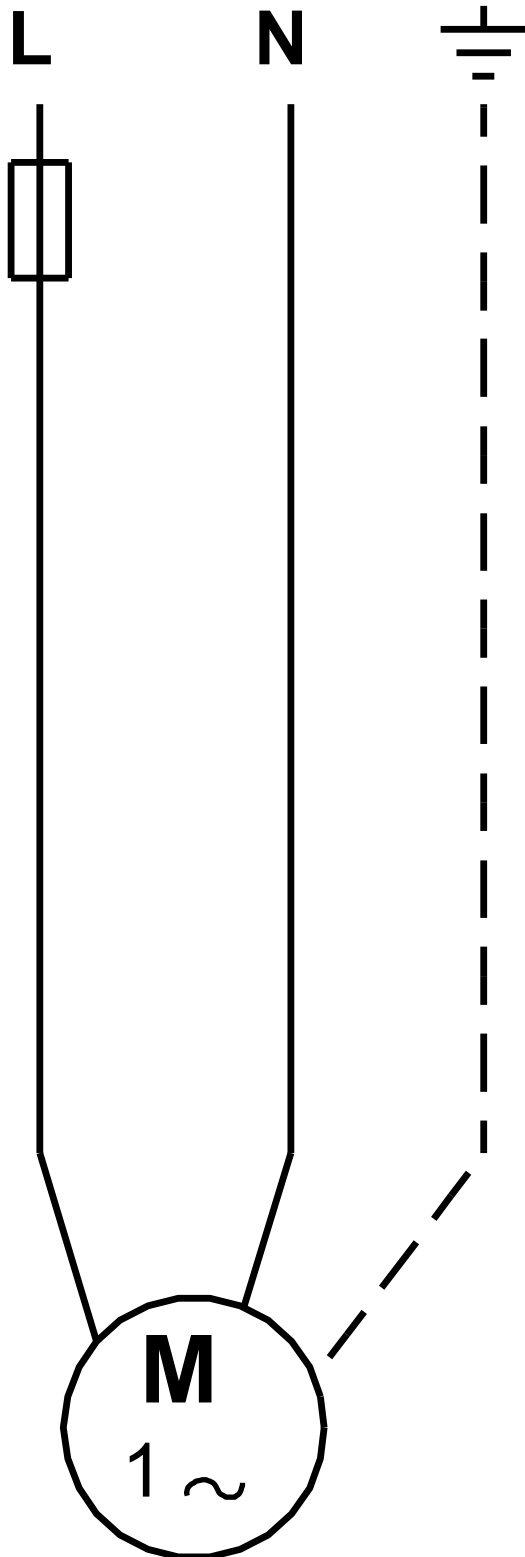


## 92603114 ALPHA CS 15-55 SU7P/TLC 60 Hz



Note! All units are in [in] unless others are stated.  
Disclaimer: This simplified dimensional drawing does not show all details.

**92603114 ALPHA CS 15-55 SU7P/TLC 60 Hz**



Note! All units are in [in] unless others are stated.

