

# 07ST SERIES STAINLESS STEEL TANK TEES

## APPLICATION:

- Provides high corrosion resistance
- Boshart recommends using both Gray Stainless Steel PTFE Tape & Gray Magic Pipe Thread Compound together for joining stainless steel threaded connections.

## SPECIFICATION:

- Heavy duty 304 stainless steel head casting
- 304 stainless steel Sch. 40 pipe nipple leg
- Pipe nipple dimensions conform to ASTM A733
- Materials conform to ASTM A312 - Welded Pipe
- Threads conform to ANSI/ASME B1.20.1
- Ambient working temperature rating: -20 to 100°F (-29 to 38°C)

## CERTIFICATION:

- NSF/ANSI Standard 372 Certified



## MATERIAL LIST

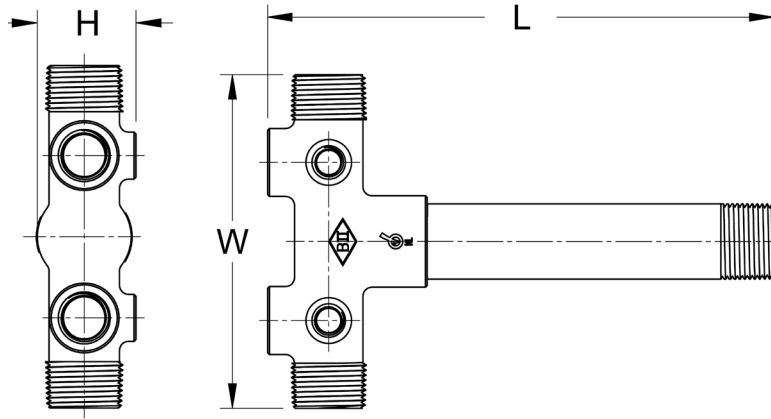
Part Name	Percent of Composition
304 Stainless Steel (ASTM A312)	
Iron (FE)	64.0 - 72.0
Carbon (C)	0.08 max
Silicone (Si)	1.00 max
Manganese (Mn)	2.00 max
Phosphorus (P)	0.045 max
Sulfur (S)	0.03 max
Chromium (Cr)	18.0 - 21.0
Nickel (Ni)	8.0 - 11.0

**BOSHART**  
INDUSTRIES

25 Whaley Avenue, PO Box 310, Milverton, ON CANADA N0K 1M0  
Tel: 800-561-3164

[boshart.com](http://boshart.com) ♦ [blog.boshart.com](http://blog.boshart.com)

# 07ST SERIES STAINLESS STEEL TANK TEES



DIMENSIONS										
Part No.	Centre End Length	Drain/Relief Ports	L		W		H		Weight	
			inches	mm	inches	mm	inches	mm	pounds	grams
1" MPT Tank Connection 1" MPT x 3/4" FPT In-Line Connection										
07ST-25S-2	4-1/2"	(2) 1/2" FPT	5.15	130.81	5.80	147.32	1.75	44.45	1.58	717.32
07ST-8-2	7-1/2"	(2) 1/2" FPT	8.25	209.55	5.80	147.32	1.75	44.45	2.00	908.00
07ST-25-2	10"	(2) 1/2" FPT	10.70	271.78	5.80	147.32	1.80	45.72	2.36	1071.44
07ST-14X1-2	13"	(2) 1/2" FPT	13.65	346.71	5.85	148.59	1.75	44.45	2.75	1248.50
1-1/4" MPT Tank Connection 1-1/4" MPT x 1" FPT In-Line Connection										
07ST-13S-2	4-1/2"	(2) 3/4" FPT	5.39	136.91	5.95	151.13	1.78	45.21	2.14	971.56
07ST-13-2	13"	(2) 3/4" FPT	13.85	351.79	5.95	151.13	2.15	54.61	3.57	1620.78
07ST-16-2	16"	(2) 3/4" FPT	16.85	427.99	5.95	151.13	2.15	54.61	4.10	1861.40
1" FPT Tank Connection 1" MPT x 3/4" FPT In-Line Connection										
07ST-13SFH-2	1-11/16"	(2) 1/2" FPT	5.95	151.13	3.00	76.20	2.15	54.61	1.64	744.56
1-1/4" FPT Tank Connection 1-1/4" MPT x 1" FPT In-Line Connection										
07ST-25SFH-2	1-7/8"	(2) 3/4" FPT	5.80	147.32	2.75	69.85	1.75	44.45	1.22	553.88

**BOSHART**  
INDUSTRIES

25 Whaley Avenue, PO Box 310, Milverton, ON CANADA N0K 1M0  
Tel: 800-561-3164

[boshart.com](http://boshart.com) ♦ [blog.boshart.com](http://blog.boshart.com)