

Installation, Operating and Service Instructions for

Lancer

- Water Boiler
- Cast Iron
- Chimney Vent
- Gas Fired

Models:

- LCR-2-038
- LCR-3-068
- LCR-4-102
- LCR-5-136
- LCR-6-170

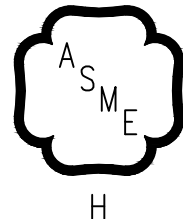
Manual Contents

	Page
1. Qualified Installer, Service Agency or Gas Supplier Read Before Proceeding	3
2. User/Homeowner Read Before Proceeding	4
3. Specifications	5
4. Locating Boiler	6
5. Preparing Boiler	9
6. Venting	9
7. Water Piping	12
8. Gas Piping	16
9. Electrical	17
10. System Start-up and Checkout	20
11. Operation	25
12. Before Leaving Jobsite	27
13. Service and Maintenance	28
14. How it Works	31
15. Troubleshooting	33
16. Service Parts	35
Appendix A Combination Refrigeration/Heating System ..	42
Appendix B Water Quality and Boiler Additives	43
Appendix C Low Water Return Temperature	44

⚠ WARNING

Attention Installer - Affix these instructions adjacent to boiler. Provide model number and serial number when seeking information and support.

Attention Building Owner - Retain these instructions for future reference. Contact a qualified installer, service agency or gas supplier for all issues and support.



⚠ WARNING

Read these instructions carefully before installing. This boiler must only be installed, serviced, or repaired by a qualified installer, service agency or gas supplier. Improper installation, adjustment, alteration, service, or maintenance can cause severe personal injury, death, or substantial property damage. For assistance or additional information, consult a qualified installer, service agency or gas supplier.



The City of New York requires a Licensed Master Plumber supervise the installation of this product.

The Massachusetts Board of Plumbers and Gas Fitters has listed the Lancer Series Boiler. See the Massachusetts Board of Plumbers and Gas Fitters website,

https://licensing.reg.state.ma.us/pubLic/pl_products/pb_pre_form.asp for the latest Approval Code or ask your local Sales Representative.

The Commonwealth of Massachusetts requires this product to be installed by a licensed Plumber or Gas fitter.

The following terms are used throughout this manual to bring attention to the presence of hazards of various risk levels, or to important information concerning product life.

 DANGER

Indicates a hazardous situation that, if not avoided, will result in death or serious injury.

 CAUTION

Indicates a hazardous situation that, if not avoided, could result in minor or moderate injury.

 WARNING

Indicates a hazardous situation that, if not avoided, could result in death or serious injury.

NOTICE: Indicates special instructions on installation, operation, or service which are important but not related to personal injury hazards.

 DANGER

Explosion Hazard. DO NOT store or use gasoline or other flammable vapors or liquids in the vicinity of this or any other appliance.

If you smell gas vapors, DO NOT try to operate any appliance - DO NOT touch any electrical switch or use any phone in the building. Immediately, call the gas supplier from a remotely located phone. Follow the gas supplier's instructions or if the supplier is unavailable, contact the fire department.

 WARNING

This boiler must only be serviced and repaired by skilled and experienced service technicians.

- If any controls are replaced, they must be replaced with identical models.
- Read, understand and follow all the instructions and warnings contained in all the sections of this manual.
- If any electrical wires are disconnected during service, clearly label the wires and assure that the wires are reconnected properly.
- Never jump out or bypass any safety or operating control or component of this boiler.
- Assure that all safety and operating controls and components are operating properly before placing the boiler back in service.
- Annually inspect all vent systems and replace any exhibiting damage or deterioration.

1 Qualified Installer, Service Agency or Gas Supplier Read Before Proceeding

DANGER

Asphyxiation Hazard, Burn Hazard, Electrical Shock Hazard.

- Carefully read all instructions in literature packet and posted on boiler before attempting installation, startup, or service of this boiler. Perform steps in order given. Failure to follow all instructions in proper order could result in severe personal injury, death or substantial property damage.
- Use proper personal protective equipment when installing, servicing, or working near this boiler. Materials of construction, flue products, and fuel contain alumina, silica, heavy metals, carbon monoxide, nitrogen oxides, and/or other toxic or harmful substances that can be hazardous to health and life and that are known to the State of California to cause cancer, birth defects, and other reproductive harm.
- Do not disconnect pipe fittings on boiler or in heating system without first verifying system is cool and free of pressure and that your clothing will protect you from a release of hot water or steam. Do not rely solely on boiler temperature and pressure gauge when making this judgement.
- Install all guards, cover plates, and enclosures before leaving boiler in operation.
- Disconnect electrical supply before installing or performing maintenance.

NOTICE:

1. Size boiler properly. A grossly oversized boiler will cycle excessively leading to premature failure of boiler and its components. Warranty does not cover damage from excessive cycling.
2. Systems employing baseboard and/or radiators, use an industry accepted sizing method such as the I=B=R "Residential Hydronic Heating Installation and Design" guide published by the Air Conditioning, Heating and Refrigeration Institute (AHRI).
3. Inspect shipment carefully for signs of damage. Any claim for damage or shortage in shipment must be filed immediately against carrier by consignee. No claims for variances or shortages will be allowed by boiler manufacturer, **unless presented within 60 days after receipt of equipment.**

2 User/Homeowner Read Before Proceeding

WARNING

Asphyxiation Hazard. Fire Hazard.

- A qualified installer, service agency or gas supplier should annually inspect boiler.
- If you are not qualified to install or service boilers, do not install or service this one.
- Carbon monoxide is an odorless, deadly gas that may be introduced into your home by any malfunctioning fuel burning product or vent system failure. **Consider installing CO alarms near bedrooms in all levels of building to warn you and your family of potential CO exposure.**
- Do not block air flow into or around boiler or opening for fresh air into boiler room. Insufficient air may cause the boiler to produce carbon monoxide or start a fire.

NOTICE: Protect your home in freezing weather. A power outage, operating control, or component failure will prevent your boiler from lighting. In winter your pipes may freeze and cause extensive property damage. Do not leave heating system unattended during cold weather unless alarms or other safeguards are in place to prevent such property damage.

CAUTION

Burn Hazard.

Keep children and pets away from hot surfaces of the boiler including boiler piping, vent piping, and vent terminals.

NOTICE: Boiler may leak water or steam at the end of its useful life. Be sure to protect walls, carpets, and valuables from water or steam that could leak from boiler.

NOTICE: This boiler contains controls which may cause the boiler to shut down and not restart without service. If damage due to frozen pipes is a possibility, heating system should not be left unattended in cold weather; or appropriate safeguards and alarms should be installed on heating system to prevent damage if boiler is inoperative.

3 Specifications



Table 3-1: Ratings

Model Number	AFUE %	Input (MBH) ⁽¹⁾	DOE Heating Capacity (MBH)	Net AHRI (MBH) ⁽²⁾
LCR-2-038	84.0	38	32	28
LCR-3-068	84.0	68	57	50
LCR-4-102	84.0	102	85	74
LCR-5-136	84.0	136	114	99
LCR-6-170	84.0	170	142	123

⁽¹⁾ Input ratings can be used for elevations up to 2,000 ft. Refer to System Start-Up and Checkout Sections for elevations 2,000 ft. or higher.

⁽²⁾ Net AHRI Ratings shown are based on a piping and pickup allowance of 1.15. The manufacturer should be consulted before selecting a boiler for installations having unusual piping and pickup requirements, such as intermittent operation, extensive piping systems, etc.

Table 3-2: Dimensions and Connections

Boiler Model Number	No. of Sections	Depth (in)	Width (in)	Height (in)	Supply NPT	Return NPT	Vent (in)	Gas NPT	Relief Valve NPT	Drain NPT	Maximum Allowable Working Pressure (PSI)
LCR-2-038	2	32	14	40	1-1/4	1-1/4	4	1/2	3/4	3/4	50
LCR-3-068	3	32	14	40	1-1/4	1-1/4	4	1/2	3/4	3/4	50
LCR-4-102	4	32	16	40	1-1/4	1-1/4	5	1/2	3/4	3/4	50
LCR-5-136	5	32	19	40	1-1/4	1-1/4	6	1/2	3/4	3/4	50
LCR-6-170	6	32	22	40	1-1/4	1-1/4	6	1/2	3/4	3/4	50

Table 3-3: Weights and Volume

Boiler Model Number	Shipping Weight (lbs)	Empty Weight (lbs)	Shipping Crate D (in)	Shipping Crate W (in)	Shipping Crate H (in)	Water Content (gal)	Heat Exchanger Surface Area ft ²
LCR-2-038	202	143	46	26	39 1/2	1	3.86
LCR-3-068	254	180	46	26	39 1/2	2	7.72
LCR-4-102	304	231	46	26	39 1/2	3	11.58
LCR-5-136	357	284	46	26	39 1/2	4	15.44
LCR-6-170	405	332	46	26	39 1/2	5	19.31

Electrical Requirements: 120 VAC, 60 Hz, 1-ph, Less than 12A

Maximum Allowable Working Pressure - 50 psi. Boiler shipped from factory with a 30 psi safety relief valve.

4 Locating Boiler

Code Requirements

1. Installations must conform to requirements of authority having jurisdiction or, in the absence of such requirements, to *National Fuel Gas Code*, ANSI Z223.1/NFPA 54.
2. All wiring must comply with *National Electrical Code* ANSI/NFPA 70.
3. Where required by authority having jurisdiction, installation must conform to *Standard for Controls and Safety Devices for Automatically Fired Boilers*, ANSI/ASME CSD-1.

Location Considerations

1. Provide combustion and ventilation air in accordance with section "Air for Combustion and Ventilation," of *National Fuel Gas Code*, ANSI Z223.1/NFPA 54, or applicable provisions of local building codes.
2. If replacing an existing boiler, check for and correct common system problems including:
 - A. System leaks resulting in premature heat exchanger failure from oxygen corrosion or hardness deposits.
 - B. Inadequate freeze protection resulting in system freezing and leaking.
 - C. Dirt or debris left in existing piping if it has not been properly flushed or cleaned.
3. Appliance is listed for installation on combustible flooring and must not be installed on carpeting.
4. Install on level floor. For basement installation provide concrete base if floor is not level or if water may be encountered on floor around boiler.
5. Protect gas ignition system components from water (dripping, spraying, etc.) during appliance operation and service.
6. Locate boiler to avoid water damage in case there is a leak. If boiler must be located in an area sensitive to water damage, install drain pan underneath boiler and pipe to a suitable drain location. Manufacturer will not be held responsible for water damage resulting from this appliance or any of its components.
7. Check for and remove any combustible materials, gasoline, or other flammable liquids from area around boiler.
8. Check for and remove any potential combustion air contaminants from area around boiler. See Table 4-1.

NOTICE: Flue side corrosion caused by contaminants is not covered by warranty.

Table 4-1: Corrosive Combustion Contaminants and Sources

Contaminants to avoid:
Spray cans containing chloro/fluorocarbons (CFC's)
Permanent wave solutions
Chlorinated waxes/cleaners
Chlorine-based swimming pool chemicals
Calcium chloride used for thawing
Sodium chloride used for water softening
Refrigerant leaks
Paint or varnish removers
Hydrochloric acid/muriatic acid
Cements and glues
Antistatic fabric softeners used in clothes dryers
Chlorine-type bleaches, detergents, and cleaning solvents found in household laundry rooms.
Adhesives used to fasten building products and other similar products
Excessive dust and dirt

Areas likely to have contaminants:
Dry cleaning/laundry areas and establishments
Swimming pools
Metal fabrication plants
Beauty shops
Refrigeration repair shops
Photo processing plants
Auto body shops
Plastic manufacturing plants
Furniture refinishing areas and establishments
New building construction
Remodeling areas
Garages with workshops

Clearances

1. Provide clearances between boiler jacket and combustible material in accordance with authority having jurisdiction. Minimum clearances to combustible material shown in Figure 4-2.
2. **Recommend 24 in. service clearance from left side, right side and front.**
NOTICE: If recommended service clearances are not provided, it may be necessary to remove boiler for service.
3. Boiler must not be installed on carpeting.

4 Locating Boiler *(continued)*

Before Removing Existing Boiler

Take pictures and measure and/or mark existing steam and condensate return piping to ensure proper re-piping of new boiler. Support existing piping before disconnecting to prevent change in pitch.

After Removing Existing Boiler

When an existing boiler is removed from a common venting system, the common venting system is likely to be too large for proper venting of appliances remaining connected to it.

At time of removal of an existing boiler, the following steps shall be followed with each appliance remaining connected to the common venting system placed in operation, while the other appliances remaining connected to the common venting system are not in operation:

1. Seal any unused openings in the common venting system.
2. Visually inspect venting system for proper size and horizontal pitch and determine there is no blockage or restriction, leakage, corrosion, and other deficiencies which could cause an unsafe condition.
3. Insofar as is practical, close all building doors and windows and all doors between the space in which the appliances remaining connected to the common venting system are located and other spaces of building. Turn on clothes dryers and any appliance not connected to the common venting system. Turn on any exhaust fans, such as range hoods and bathroom exhausts, so they will operate at maximum speed. Do not operate a summer exhaust fan. Close fireplace dampers.
4. Place in operation appliance being inspected. Follow Operating Instructions. See Figure 10-1. Adjust thermostat so appliance will operate continuously.
5. Test for spillage at draft hood relief opening after 5 minutes of main burner operation. Use flame of a match or candle, or smoke from a cigarette, cigar or pipe.
6. After it has been determined that each appliance remaining connected to the common venting system properly vents when tested as outlined above, return doors, windows, exhaust fans, fireplace dampers and any other gas-burning appliance to their previous condition of use.
7. Any improper operation of the common venting system should be corrected so the installation conforms with the *National Fuel Gas Code*, ANSI Z223.1/NFPA 54. When resizing any portion of the common venting system, the common venting system should be resized to approach minimum size as determined using appropriate tables in Chapter 13 of the *National Fuel Gas Code*, ANSI Z223.1/NFPA 54.

4 Locating Boiler *(continued)*

⚠ WARNING

Adequate combustion and ventilation air must be provided to assure proper combustion.

⚠ WARNING

ASSURE THAT THE FRONT AIR DAM is in place and undamaged. A damaged front air dam will negatively affect the performance of this boiler, which can cause serious property damage, personal injury or death.

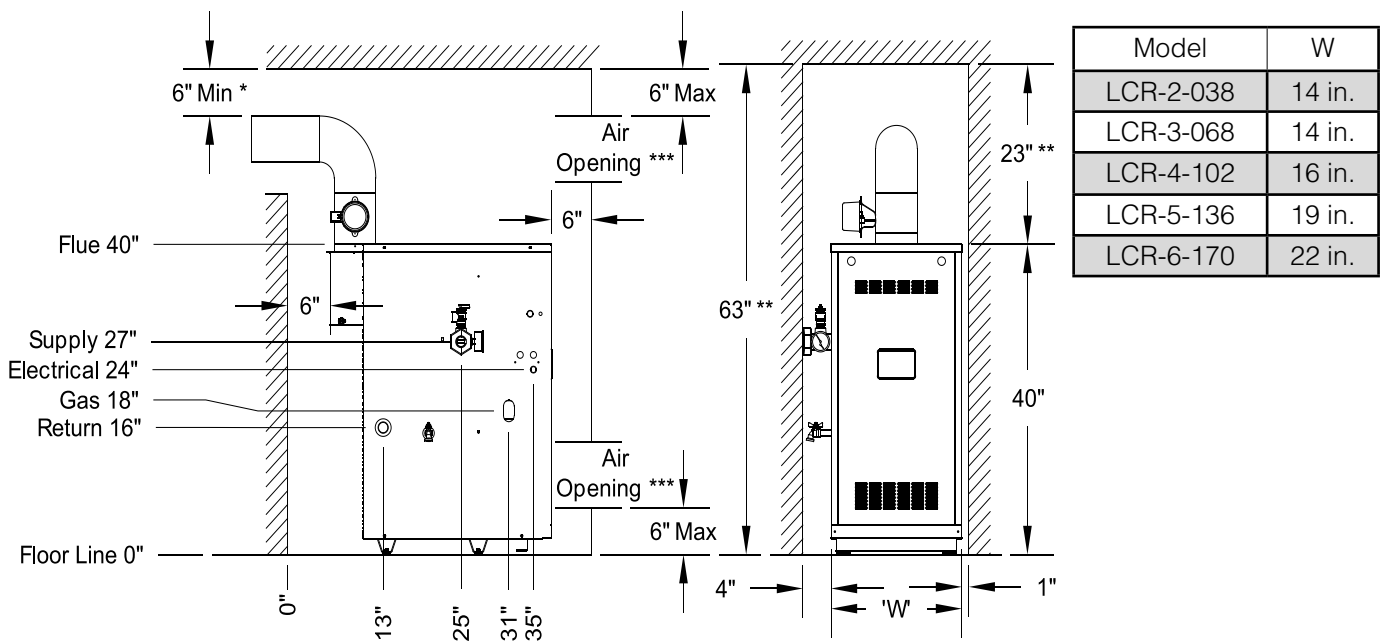


Figure 4-2: Minimum Closet Clearances

5 Preparing Boiler

DANGER

Use precautions and appropriate rigging apparatus when moving heavy objects.

CAUTION

Do not drop boiler. Do not bump boiler jacket against floor.

Unpack boiler

1. Move boiler to approximate installed position.
2. Remove all crate fasteners.
3. Lift outside container and remove with all other inside protective spacers and bracing. Save two of the wooden slats from the container sleeve for use in Steps 5 and 6.

4. Remove all boiler hold-down fasteners.
5. Tilt the boiler to one side and slide a wooden slat under the two raised feet.
6. Tilt the boiler to the other side and slide another wooden slat under the two raised feet.
7. Slide the boiler forward or backward off the skid using the two wooden slats as runners.
8. Move boiler to its permanent location.

6 Venting

General

DANGER

Asphyxiation Hazard.

- Failure to vent this boiler in accordance with these instructions could cause products of combustion and/or carbon monoxide to enter living space, resulting in severe personal injury, death or substantial property damage.
 - Vent installation shall be in accordance with local codes, authority having jurisdiction or *National Fuel Code, ANSI Z223.1/NFPA 54* or applicable requirements of the local building codes.
 - Follow instructions in Section 4 Locating Boiler when removing a boiler from an existing vent system.
 - Maintain clearances to vent piping and draft hood per Figure 4-2.
 - Do not use CPVC, PVC, Polypropylene or any other non-metallic vent pipe.
1. Locate boiler as close to chimney as possible. See Figure 4-2 for minimum clearances.
 2. Install vent system in accordance with local codes, authority having jurisdiction or *National Fuel Gas Code, ANSI Z223.1/NFPA 54*. Lancer boilers are Category I, draft hood equipped appliances.

A. Acceptable Chimneys.

- i.* Listed Type B or Type L gas vent. Install in accordance with manufacturer's installation instructions, local codes, authority having jurisdiction or *National Fuel Gas Code, ANSI Z223.1/NFPA 54*.
- ii.* Masonry chimney. Build and install in accordance with local codes, authority having jurisdiction or *Standard for Chimney's Fireplaces, Vents and Solid Fuel Burning Appliances, NFPA 211*.

B. Acceptable Vent Connections.

- i.* Listed Type B or Type L gas vent.
- ii.* Single wall galvanized vent. Use 0.018 in. (26 gauge or heavier). The size and location of the chimney may not permit the use of a single wall connector in some cases. See *National Fuel Gas Code, ANSI Z223.1/NFPA 54*. Do not use single wall pipe for vent connections in attics.

C. Size chimney and vent connector in accordance with *National Fuel Gas Code, ANSI Z223.1/NFPA 54*.

D. Do not connect vent of this appliance into any portion of a mechanical vent system operating under positive pressure.

6 Venting *(continued)*

- E. Do not connect boiler into a chimney flue servicing an open fireplace or other solid fuel appliance.
- F. Prior to boiler installation, inspect chimney for obstructions or other defects and correct as required. Clean chimney as necessary.
- G. The vertical section of vent pipe coming off boiler should be as tall as possible, while still maintaining the proper clearance from horizontal vent connector to combustibles.
- H. Vent pipe should slope upward from draft hood not less than one inch in four feet. No portion of vent pipe should run downward or have sags. Vent pipe must be securely supported.
- I. Vent pipe should be installed above bottom of chimney to prevent blockage.
- J. Vent pipe must be inserted flush with inside face of chimney liner and the space between vent pipe and chimney sealed tight.
- K. Do not install vent damper in any portion of vent system which is used by appliances other than the boiler being installed.

- 2. Install vent piping.
 - A. See Table 3-2 for vent sizes. See Figure 4-2 for clearances.
 - B. Install vent piping from vent damper outlet to chimney. See Figure 6-3 for typical vent installation.

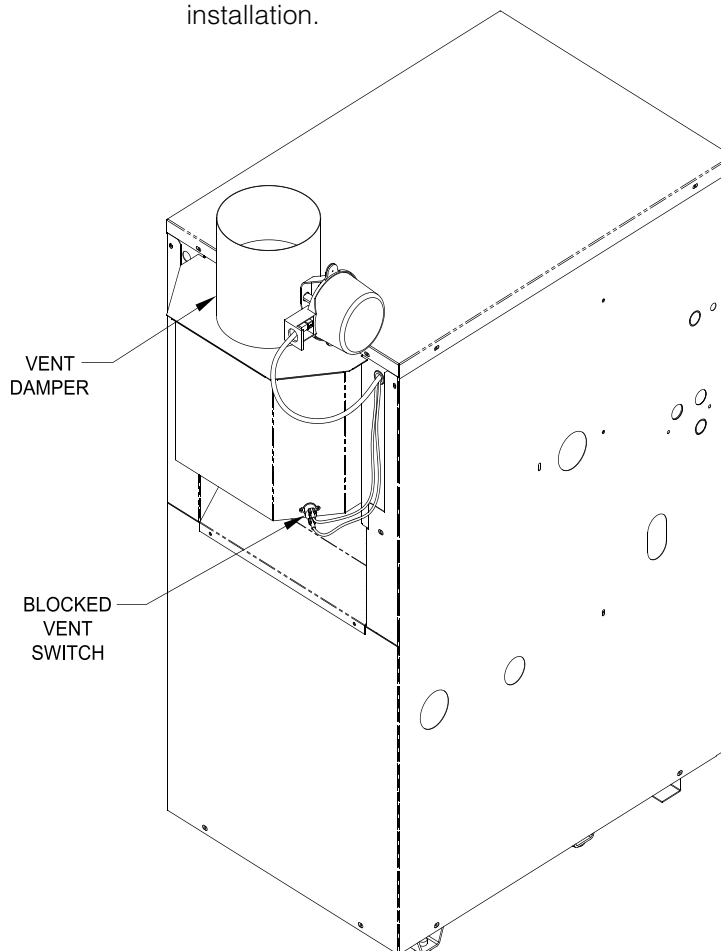


Figure 6-1: Vent Damper Installation

Install Vent Piping

- 1. Install vent damper.

OPEN VENT DAMPER CARTON and remove Installation Instructions. READ INSTALLATION INSTRUCTIONS THOROUGHLY before proceeding.

CAUTION

Do not use one vent damper to control more than one heating appliance.

- A. Vent damper must be same size as outlet of vent supplied with boiler (see Table 3-2). Unpack damper carefully - DO NOT FORCE IT CLOSED! Forcing damper may damage motor and is not covered by warranty.

Insert pilot vent plug into gate and fold over tabs.

- B. Mount the vent damper assembly onto diverter. See damper manufacturer instructions for more information. Do not modify either diverter or vent damper. See Figure 6-1.

NOTICE: Provide adequate access for servicing.

- C. Locate vent damper position indicator to be visible following installation. See Figure 6-2.
- D. Plug vent damper connector into damper motor polarized receptacle.

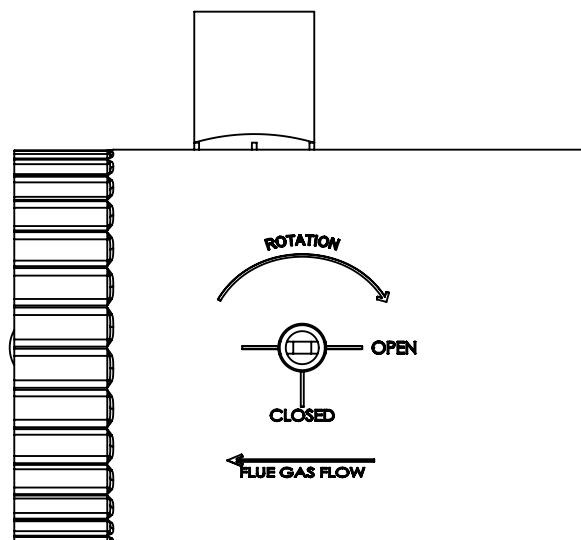


Figure 6-2: Vent Damper Position Indicator

6 Venting *(continued)*

⚠ DANGER

Inspect existing chimney before installing boiler. Look for corrosion holes. Failure to clean chimney or replace corroded pipe or tile lining will cause severe injury or death. Do not connect into same flue of chimney serving an open fireplace.

- C. Vent pipe to chimney must not be smaller than outlet on draft hood or vent damper. Arrange venting system so boiler is served by vent damper device.
- Exception: *National Fuel Gas Code*, ANSI Z223.1/NFPA 54, and allow vent downsizing when vent size determined by their Vent Sizing Tables is smaller than draft hood outlet/vent damper. These codes require all of following:
- Total vent height (H) is at least 10 ft.;
 - Vent not reduced more than one table size; and
 - Draft hood outlet/vent damper is greater than 4 in. in diameter.
- D. Vent pipe should have greatest possible initial rise above draft hood consistent with head room available and required clearance from adjacent combustible building structure. Vent pipe should be installed above bottom of chimney to prevent blockage.
- E. Slope vent pipe upward from draft hood to vent terminal not less than 1/4 in. per foot.
- F. Support horizontal portions of venting system to prevent sagging. Use pipe straps, brackets or hangers spaced 4 ft. or less.
- G. Vent pipe must be inserted into but not beyond inside wall of chimney liner. Seal tight between vent pipe and chimney.

- Install vent termination (masonry chimney and single wall metal pipe).
 - Termination shall extend at least 5 ft. in vertical height above highest connected appliance vent outlet.
 - Termination shall extend at least 3 ft. (2 ft. for single wall metal pipe) above roof penetration and at least 2 ft. above any portion of building within horizontal distance of 10 ft.
- Install vent termination: (Gas Vent).
 - Termination shall extend at least 5 ft. in vertical height above highest connected appliance vent outlet.
 - For terminations located at least 8 ft. from vertical wall or similar obstruction, termination shall extend above roof in accordance with Figure 6-4.
 - For terminations located less than 8 ft. from vertical wall or similar obstruction, termination shall extend at least 2 ft. above roof penetration and at least 2 ft. above any portion of building within horizontal distance of 10 ft.
 - Termination shall be at least 3 ft. above forced air inlet located within 10 ft.

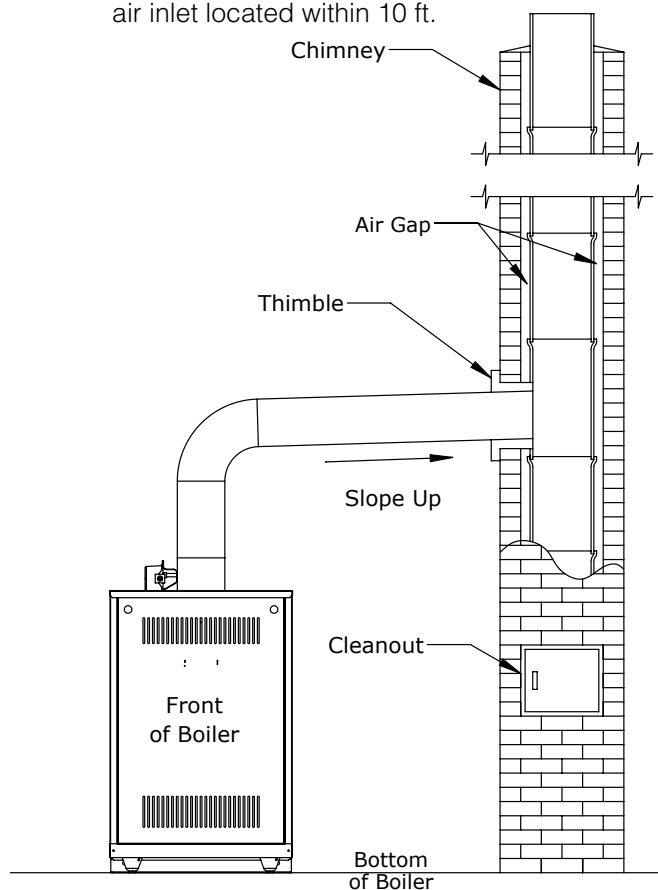


Figure 6-3: Typical Single Draft Hood Installation

6 Venting *(continued)*

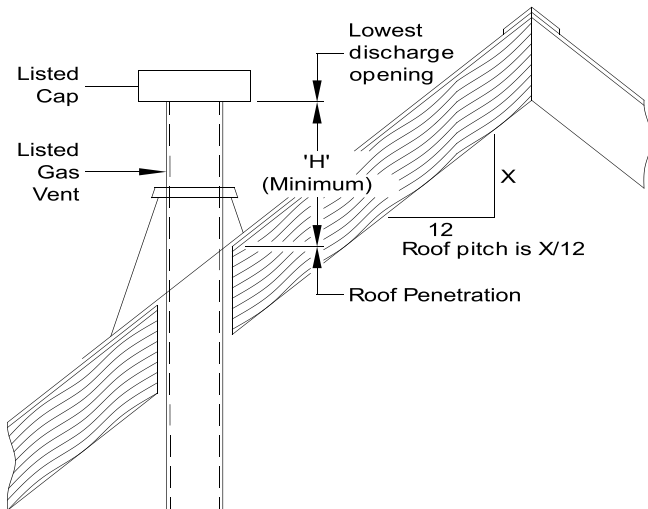


Figure 6-4: Termination Location for Gas Vent

Roof Slope Heights (H)	
Roof Slope	ft.
Flat to 6/12	1.0
Over 6/12 to 7/12	1.25
Over 7/12 to 8/12	1.5
Over 8/12 to 9/12	2.0
Over 9/12 to 10/12	2.5
Over 10/12 to 11/12	3.25
Over 11/12 to 12/12	4.0
Over 12/12 to 14/12	5.0
Over 14/12 to 16/12	6.0
Over 16/12 to 18/12	7.0
Over 18/12 to 20/12	7.5
Over 20/12 to 21/12	8.0

7 Water Piping

⚠ WARNING

Failure to properly pipe boiler may result in improper operation and damage to boiler or building.

1. Design and install boiler and system piping to prevent oxygen contamination of boiler water. Oxygen contamination sources are system leaks requiring addition of makeup water, fittings, and oxygen permeable materials in distribution system. Eliminate oxygen contamination by repairing system leaks, repairing fittings, and using non-permeable materials in distribution system.
2. Install circulator with flanges, gaskets and bolts provided.
3. Install Safety Relief Valve. See Figure 7-1. Safety Relief Valve must be installed with spindle in vertical position.

⚠ DANGER

- Pipe relief valve discharge to a safe location.
- Do not install any valves between boiler and relief valve.
- Do not install any valves between relief valve and discharge.
- Do not move relief valve from factory location.
- Do not plug relief valve discharge.
- Do not install a relief valve with a setting greater than 30 psi.

⚠ WARNING

- Pipe discharge of relief valve to a location where water will not create a hazard or cause property damage if the relief valve opens.
- End of discharge pipe must terminate in an unthreaded pipe.
- Relief valve must terminate no greater than 6 inches above floor.
- Termination of the relief valve discharge piping must be in an area where it is not likely to become plugged by debris or subjected to freezing.
- Union may be installed in safety relief valve piping.

7 Water Piping *(continued)*

4. Connect system supply and return piping to boiler. Refer to Figures 7-1, 7-2, and 7-3. Also consult Residential Hydronic Heating Installation and Design I=B=R Guide. Maintain minimum $\frac{1}{2}$ inch clearance from hot water piping to combustible materials.
5. If boiler is used in connection with refrigeration systems, See Appendix: "Combination Refrigeration/Heating System".
6. Use a boiler bypass if boiler is to be operated in a system which has a large volume or excessive radiation where low boiler water temperatures may be encountered (i.e. converted gravity circulation system, etc.). See Appendix: "Low Return Water Temperatures".
7. Perform a long term pressure test of hydronic system, isolate boiler to avoid a pressure loss due to escape of air trapped in boiler.

To perform a long term pressure test including the boiler, ALL trapped air must first be removed from the boiler.

A loss of pressure during such a test, with no visible water leakage, is an indication that the boiler contained trapped air.

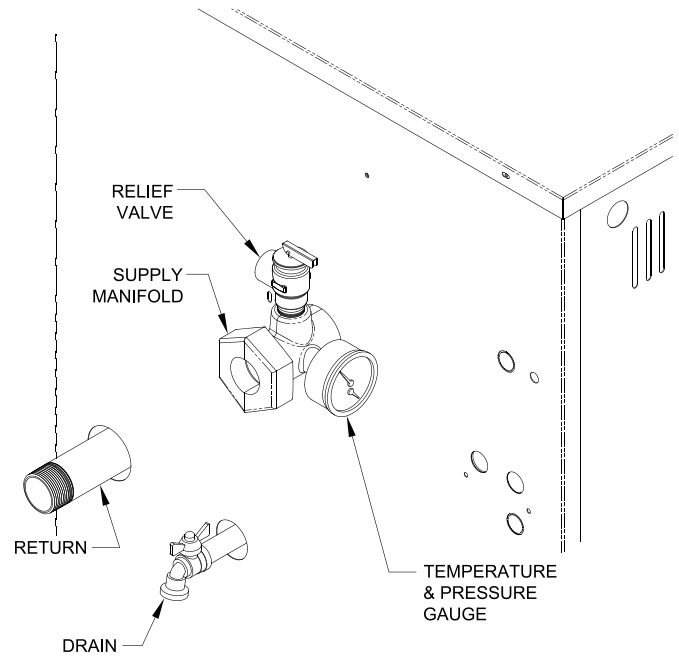


Figure 7-1: Near Boiler Piping

7 Water Piping (continued)

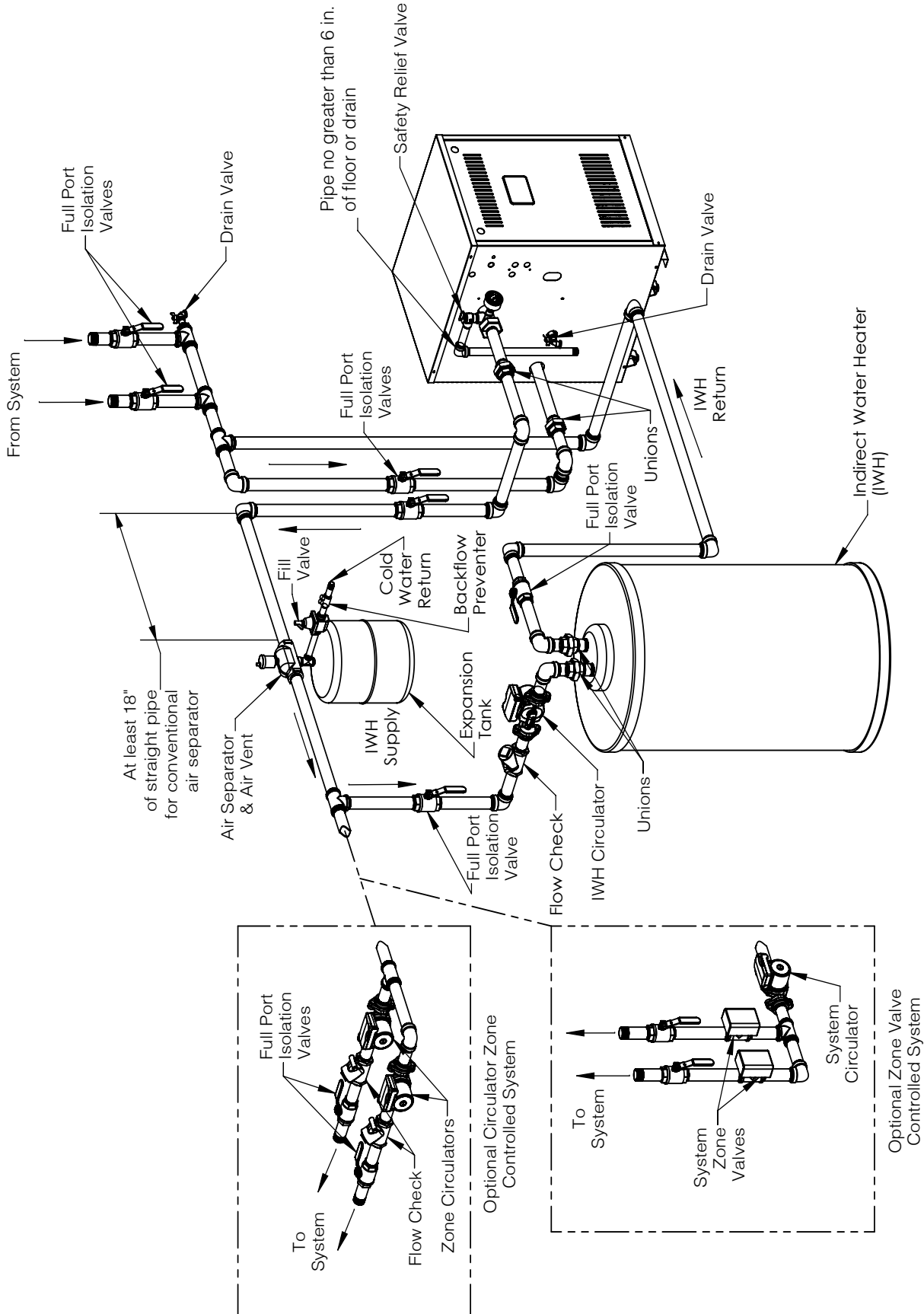
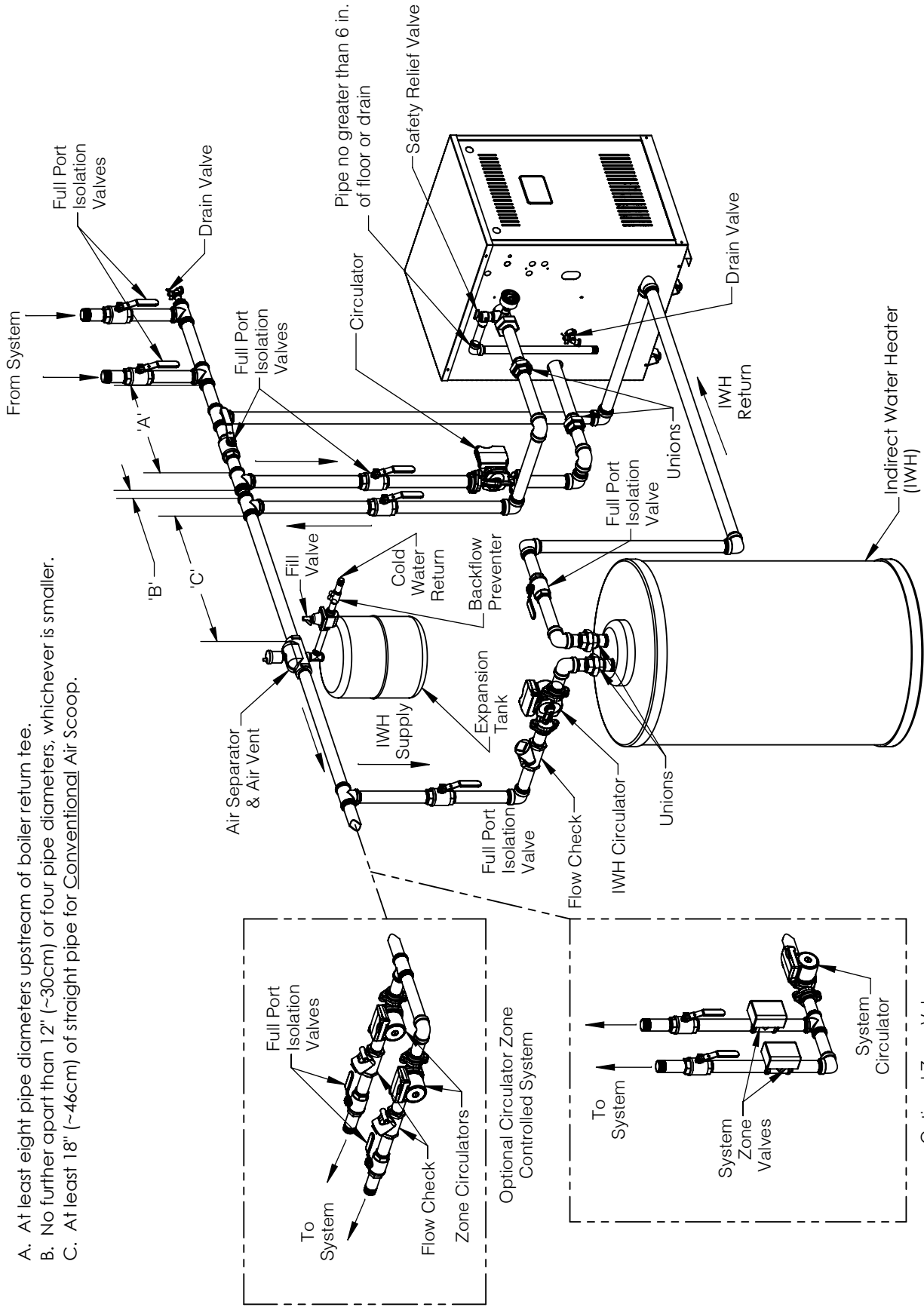


Figure 7-2: Recommended Water Piping for Direct Connection Systems

7 Water Piping (continued)



- A. At least eight pipe diameters upstream of boiler return tee.
- B. No further than 12" (~30cm) or four pipe diameters, whichever is smaller.
- C. At least 18" (~46cm) of straight pipe for Conventional Air Scoop.

Figure 7-3: Recommended Water Piping for Primary/Secondary Systems

8 Gas Piping

1. Size gas piping. Design system to provide adequate gas supply to boiler. Consider these factors:

A. Allowable pressure drop from point of delivery to boiler. Maximum allowable system pressure is $\frac{1}{2}$ psig. Minimum gas valve inlet pressure is listed on rating label. See Table 8-1.

Table 8-1: Gas Pressure

Natural Gas	Inlet Min (in w.c.)	Inlet Max (in w.c.)	Manifold (in w.c.)
All Sizes	4.5	14.0	3.5
LP Gas	Inlet Min (in w.c.)	Inlet Max (in w.c.)	Manifold (in w.c.)
All Sizes	11.0	14.0	10.0

B. Maximum gas demand. Consider existing and expected future gas utilization equipment (i.e. water heater, cooking equipment).

2. Connect boiler gas valve to gas supply system.
 - A. Use methods and materials in accordance with local plumbing codes and requirements of gas supplier. In absence of such requirements, follow *National Fuel Gas Code*, ANSI Z223.1/NFPA 54.
 - B. Use thread compounds (pipe dope) resistant to action of liquefied petroleum gas.
 - C. Install sediment trap, ground-joint union and manual shut-off valve upstream of boiler gas control valve. See Figure 8-2 (within 6 ft. of boiler).
 - D. All above ground gas piping upstream from manual shut-off valve must be electrically continuous and bonded to a grounding electrode. Do not use gas piping as grounding electrode. Refer to *National Electrical Code*, ANSI/NFPA 70.
3. Pressure test. Boiler and its gas connection must be leak tested before placing boiler in operation. See "System Start-Up and Checkout" section and "Gas Leak Test" for guidance. Follow *National Fuel Gas Code*, ANSI Z223.1/NFPA 54.

WARNING

Explosion Hazard.

- Failure to properly pipe gas supply to boiler could cause improper operation if leaks of flammable gas resulting in severe personal injury, death, or substantial property damage.
- Gas supply to boiler and system must be shut off prior to installing or servicing boiler gas piping.

DANGER

Explosion Hazard.

- Do not use matches, candles, open flames, or other ignition sources to check for leaks. Failure to comply could result in severe personal injury, death, or substantial property damage.

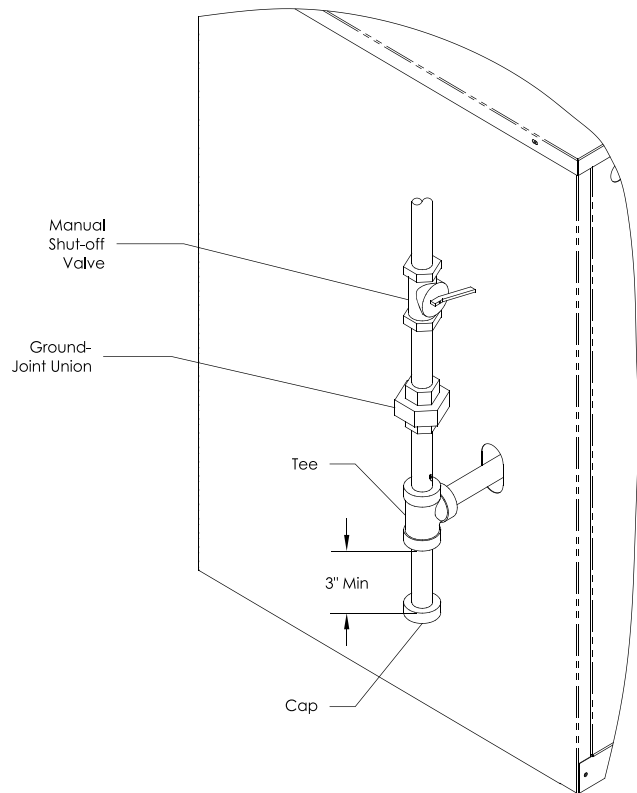


Figure 8-2: Pilot and Gas Piping

9 Electrical

WARNING

Electrical Shock Hazard. Wiring errors can cause improper or dangerous operation. Verify proper operation after installation.

1. Install wiring so boiler is electrically bonded to ground in accordance with requirements of authority having jurisdiction, or in absence of such requirements, with the *National Electrical Code*, ANSI/NFPA 70.
2. Install thermostat. Locate on inside wall approximately 4 feet above floor. Do not install on outside wall, near fireplace, or where influenced by drafts or restricted air flow, hot or cold water pipes, lighting fixtures, television, or sunlight. Allow free air movement by avoiding placement of furniture near thermostat.
3. Wire boiler. Boiler is rated for 120 VAC, 60 hertz, less than 12 A. A separate electrical circuit must be run from main electrical service with an over-current device/disconnect in circuit. A service switch is recommended and may be required by some local jurisdictions. Connect to black and white wires and green ground screw. See Figures 9-1 and 9-2.
4. For installations using zone valves, provide separate transformer for zone valve wiring. Consult zone valve manufacturer for assistance.

DANGER

Electrical Shock Hazard.

- Disconnect electrical supply before installing or performing maintenance.
- Electrical power may be supplied from more than one circuit.
- Lock out all electrical boxes with padlock once power is turned off.

WARNING

Electrical Shock Hazard.

- All wiring and grounding must conform to requirements of authority having jurisdiction or, in the absence of such requirement, to *National Electrical Code* ANSI/NFPA 70.
- Make electrical connections according to boiler's wiring diagram and instructions. Failure to properly wire electrical connections to the boiler may result in severe personal injury, death, or substantial property damage.
- Protect each boiler circuit with a properly sized over-current device.
- Never jump out or bypass any operating control or component of this boiler.

9 Electrical (continued)

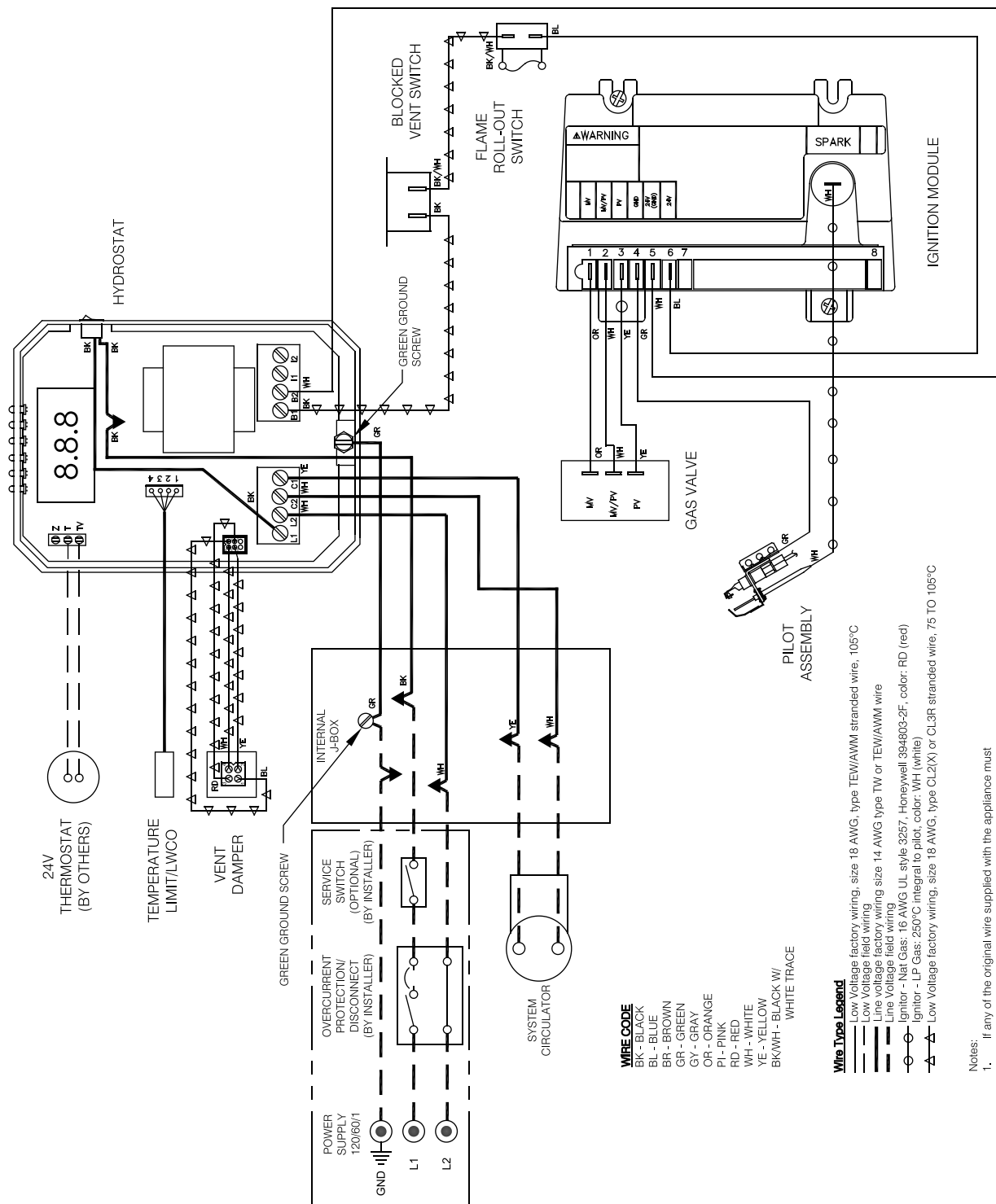


Figure 9-1: Wiring Connection Diagram

Notes:
1. If any of the original wire supplied with the appliance must be replaced, it must be replaced with the same type shown or its equivalent. S'il faut remplacer un fil quelconque d'origine fourni avec l'appareil, utiliser obligatoirement un fil de même type donné ou son équivalent.

9 Electrical *(continued)*

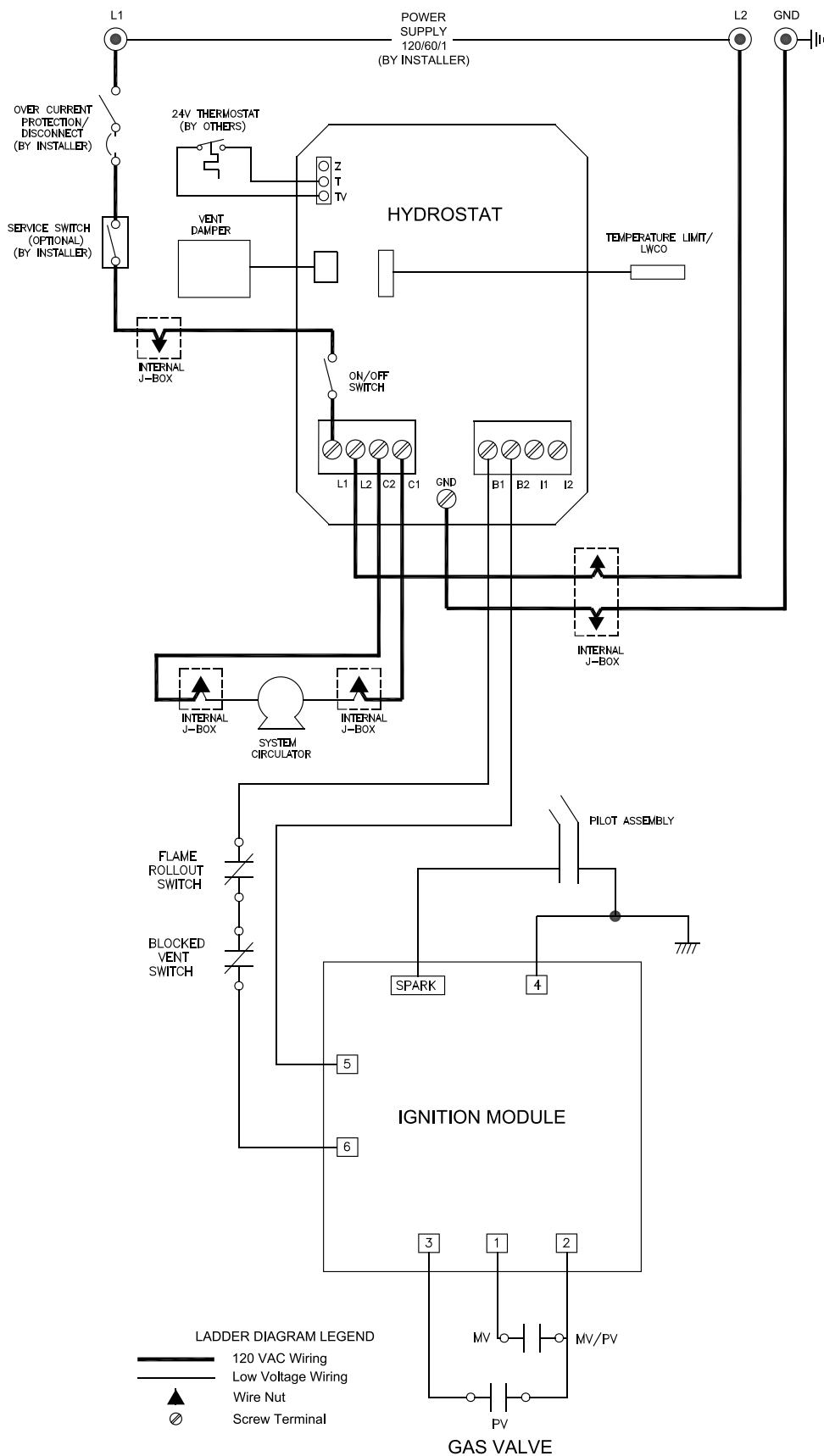


Figure 9-2: Schematic Ladder Diagram

10 System Start-up and Checkout

DANGER

Explosion Hazard.

Do not use matches, candles, open flames, or other ignition sources to check for leaks. Failure to comply could result in severe personal injury, death, or substantial property damage.

WARNING

- Make sure that the area around the boiler is clear and free from combustible materials, gasoline, and other flammable vapors and liquids.
 - Damper must be in open position when appliance main burner is operating.
1. Visual Main Burner Check.

Inspect burners for dislodgement during shipment. Rear of burners should be in vertical slots in rear of burner tray and front of burners should be seated completely on orifices.
 2. Fill Boiler with Water.
 - A. Proceed to fill boiler with water. When water reaches Hydrostat 3200 Sensor, "LOW WATER" LED will turn off and burner will fire.
 - B. Turn off power to boiler and finish filling system.
 - C. Refer to Appendix B for important information on water quality and boiler additives.
 3. Purge Air from System.
 - A. Fill entire heating system with water and vent air from boiler, radiators and system, one zone at a time.
 - B. Isolate boiler by closing isolation valves. For primary-secondary systems, close additional isolation valve to ensure water flows through zones.
 - C. Isolate all circuits by closing zone valves or turning off zone circulators.
 - D. Attach hose to drain valve located on return piping (see Figure 7-2 and 7-3). Note-Terminate hose in five gallon bucket, at a suitable floor drain, or outdoor area).
 - E. Starting with one circuit, open zone valve or start circulator.
 - F. Open drain valve.
 - G. Open fill valve.
 - H. Allow water to flow through system until discharge from hose is bubble free for 30 seconds.
 - I. Open zone valve or start circulator to second zone to be purged, then close first. Repeat this step until all zones have been purged, but always have one zone open. At completion, open all zone valves or start all circulators.
 - J. Close hose bib, open boiler isolation valve, continue filling system until pressure gauge reads 12 psi. Close fill valve. (Note - If make-up water line is equipped with pressure reducing valve, system will automatically fill to 12 psi).
 - K. Remove hose from drain valve.
 4. Perform gas leak test upstream of boiler shutoff valve.
 - A. Protect boiler gas valve.
 - i. For all testing over ½ psig, boiler and manual shutoff valve must be disconnected from gas supply piping.
 - ii. For testing at ½ psig or less, isolate boiler from gas supply piping by closing boiler manual shutoff valve.
 - B. Locate leaks using listed combustible gas detector, a noncorrosive leak detection fluid or other listed leak detection method.
 - C. Tighten appropriate pipe connections.
 5. Perform limit check.
 - A. Ensure gas to boiler is off.
 - B. Set ROOM THERMOSTAT to lowest setting.
 - C. If limits are functioning properly (LWCO, Auxiliary limit, flame rollout switch, blocked vent switch, damper), boiler should spark. If boiler does not spark, see Section 15 "Troubleshooting" for guidance.
 - D. Turn "OFF" the electric switch to boiler.
 6. Start boiler according to "Operating Instructions" in Figure 10-1.
 7. Perform gas leak test downstream of boiler manual shutoff valve.
 - A. Open manual shutoff valve.
 - B. PURGE AIR FROM GAS PIPING by loosening (or removing) "Inlet Pressure Tap" plug on gas valve (See Figure 10-2). Tighten (or replace) plug when you start to smell gas. Adequate ventilation must be provided and no smoking or open flame permitted.



10 System Start-up and Checkout *(continued)*

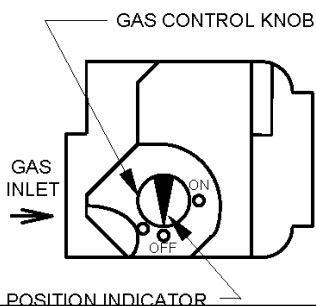
FOR YOUR SAFETY READ BEFORE OPERATING

WARNING: If you do not follow these instructions exactly, a fire or explosion may result causing property damage, personal injury, or loss of life.

- A. This appliance is equipped with an ignition device which automatically lights the pilot. Do not try to light the pilot by hand.
- B. BEFORE OPERATING smell all around the appliance area for gas. Be sure to smell next to the floor because some gas is heavier than air and will settle on the floor.
- WHAT TO DO IF YOU SMELL GAS**
- ▶ Do not try to light any appliance.
 - ▶ Do not touch any electric switch; do not use any phone in your building.
 - ▶ Immediately call your gas supplier from a neighbor's phone. Follow the gas supplier's instructions.
- C. Use only your hand to push in or turn the gas control knob. Never use tools. If the knob will not push in or turn by hand, don't try to repair it, call a qualified service technician. Force or attempted repair may result in a fire or explosion.
- D. Do not use this appliance if any part has been under water. Immediately call a qualified service technician to inspect the appliance and to replace any part of the control system and any gas control which has been under water.
- ▶ If you cannot reach your gas supplier, call the fire department.

OPERATING INSTRUCTIONS

1. STOP! Read the safety information above on this label.
2. Set the thermostat to lowest setting.
3. Turn off all electric power to the appliance.
4. This appliance is equipped with an ignition device which automatically lights the pilot. Do not try to light the pilot by hand.
5. Remove front door.
6. Locate the gas control valve at the end of the gas supply pipe going into the boiler. The gas control knob is the brown or blue plastic knob located on top of the gas control valve.
7. Rotate gas control knob clockwise  from "ON" position to "OFF". Make sure knob rests against stop.
8. Wait five (5) minutes to clear out any gas. Then smell for gas, including near the floor. If you smell gas, STOP! Follow "B" in the safety information above on this label. If you do not smell gas, go to the next step.
9. Rotate gas control knob counterclockwise  from "OFF" to "ON". Make sure knob rest against stop. Do not force.
10. Replace front door.
11. Turn on all electric power to the appliance.
12. Set thermostat to desired setting.
13. If the appliance will not operate, follow the instructions "TO TURN OFF GAS TO APPLIANCE" and call your service technician or gas supplier.



TO TURN OFF GAS TO APPLIANCE


1. Set the thermostat to lowest setting.
2. Turn off all electric power to the appliance if service is to be performed.
3. Remove front door.
4. Rotate gas control knob clockwise  from "ON" position to "OFF". Make sure knob rests against stop.
5. Replace front door.

Figure 10-1: Operating Instructions

10 System Start-up and Checkout *(continued)*

⚠ WARNING

Explosion Hazard.

Ensure inlet pressure tapping is fully closed after checking pressure. Failure to comply could result in severe personal injury, death, or substantial property damage.

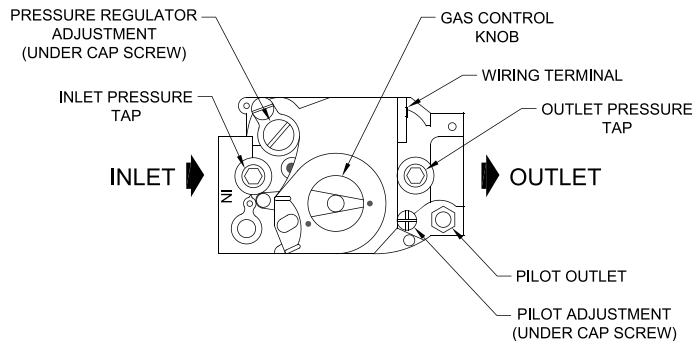


Figure 10-2: Top View of Gas Valve

- C. Locate and address leaks using listed combustible gas detector, a non corrosive leak detection fluid or other listed leak detection method.
 - i. Check pipe fittings up to inlet of gas valve.
 - ii. Check piping between gas valve and orifices (after boiler is operating).
 - ii. Check piping between gas valve and pilot (after boiler is operating).
- D. Tighten appropriate pipe connections.
8. Check pilot burner flame.

Natural Gas Only. Pilot produces single flame. Flame should be steady medium hard blue enveloping 3/8 to 1/2 inch of igniter-sensor tip. See Figure 10-3.

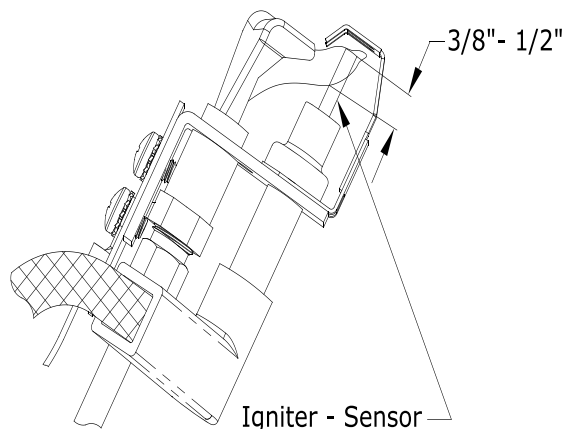


Figure 10-3: Natural Gas Pilot Flame

LP Gas Only. Pilot burner produces three (3) flames. The center flame should be steady, medium hard blue enveloping 3/8 to 1/2 inch of sensing probe. See Figure 10-4.

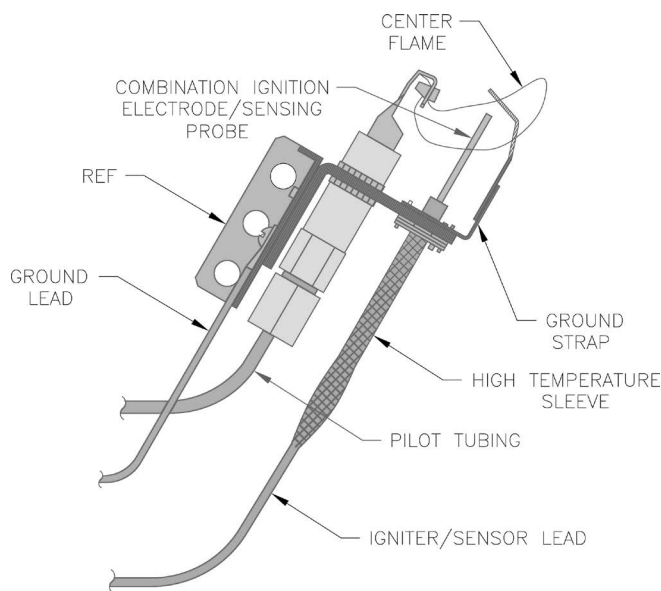


Figure 10-4: LP Gas Pilot Flame

9. Check Main Burner Flame (see Figure 10-5).
 - A. NORMAL FLAME:
 - i. Clearly defined inner cone with no yellow tipping.
 - ii. Orange-yellow streaks caused by dust should not be confused with true yellow tipping.
 - B. ABNORMAL FLAME (if found, check inlet and outlet gas pressure. Procedure found in following steps):
 - i. Over fired - large flame.
 - ii. Under fired - small flames.
 - iii. Lack of primary air - yellow tipping on flames.

10 System Start-up and Checkout *(continued)*

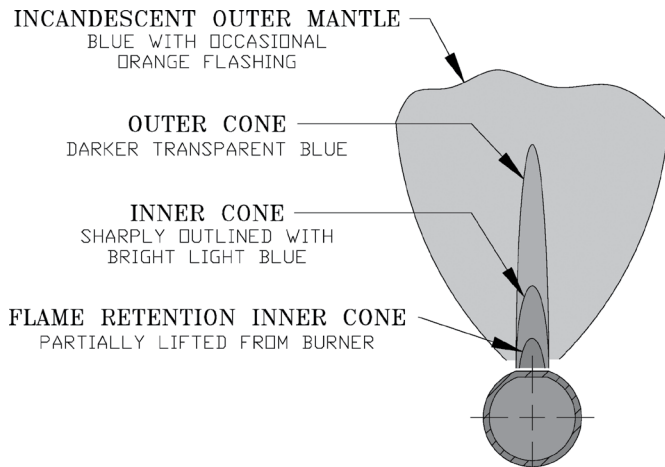


Figure 10-5: Main Burner Flame

CAUTION

Avoid operating boiler in an environment where saw dust, loose insulation fibers, dry wall dust, etc. are present. If boiler is operated under these conditions, burner interior and ports must be cleaned and inspected daily to ensure proper operation.

WARNING

Failure to follow the following procedure exactly could result in over firing of boiler and a carbon monoxide hazard.

10. Check gas inlet pressure.
 - A. While boiler and all other gas appliances are not firing, gas inlet pressure should not exceed $\frac{1}{2}$ psig.
 - B. While boiler and all other gas appliances are firing, gas inlet pressure must be between minimum and maximum shown on rating label.

11. Check gas outlet (manifold) pressure.
 - A. Install manometer on 1/8 in. outlet pressure tap on gas valve (see Figure 10-2). Use of shutoff valve between manometer and gas valve can prevent pressure surge that blows out manometer fluid.
 - B. Adjust regulator on gas valve so manifold pressure matches values listed on rating label.
 - C. Turning regulator adjustment screw clockwise (\curvearrowright) increases pressure.
 - D. Turning regulator adjustment screw counterclockwise (\curvearrowleft) decreases pressure.
12. Check gas input rate to boiler.
 - A. When checking rate, ensure all other appliances connected to same meter as boiler are off.
 - B. Input ratings shown on boiler rating label can be used for elevations up to 2,000 ft. For elevations 2,000 ft. or higher, reduce input rate to 4 percent per 1,000 ft. above sea level. Do not install at elevations above 12,000 ft. See Table 10-6.

Table 10-6: De-rate for Elevation Above Sea Level

Boiler Mode	Rating Label	Input (MBH)		
		5,000 ft.	7,000 ft.	10,000 ft.
LCR-2-038	38	30.5	27.5	23.0
LCR-3-068	68	54.5	49.0	41.0
LCR-4-102	102	81.5	73.5	61.0
LCR-5-136	136	109	98.0	81.5
LCR-6-170	170	136	122.5	102.0

10 System Start-up and Checkout *(continued)*

13. Measure carbon monoxide (CO) level in vent after 5 minutes of main burner operation. CO should not exceed 400ppm air free.
14. Check vent damper operation.
Vent damper must be in open position when appliance main burners are operating.
15. Check ignition system safety shut-off device.
After control has finished sparking, remove ignitor/flame sense wire from control. Pilot and burners will shut down.
16. Test LWCO functionality
Press "TEST"/SETTINGS button on Hydrostat 3200. Boiler should shut down.
 - Set thermostat to call for heat and push "TEST"/SETTINGS button on Hydrostat 3200 to simulate low water condition.
 - Red "LOW WATER" LED will illuminate and burner will shut down.
 - Release "TEST"/SETTINGS button and burner will light off.
17. Check high limit control. (See Section 11 "Operation - High Limit" for details). Set thermostat to higher than normal setpoint. Allow boiler to run until high limit is achieved (180°F default). Burners will shut down.
18. Check thermostat operation. Raise and lower temperature setting to start and stop boiler operation. Adjust thermostat to normal setting.
19. Review User's Information Manual and system operation with owner or operator.

11 Operation

A. Temperature Limit/LWCO Control

Refer to HydroStat 3200 Installation Instructions and Operating Manual included with these instructions.

B. Electronic Ignition Module

See Figure 11-1 for electronic ignition (EI). Electronic Ignition Modules with LED indicators. Table 11-2 cross-references ignition module terminal designations to ignition terminal numbers in wiring ladder diagrams. Table 11-4 provides green LED status codes and recommended service action where applicable. See Figure 11-1 for Location of LED. See Figure 14-1 for Troubleshooting Guide.

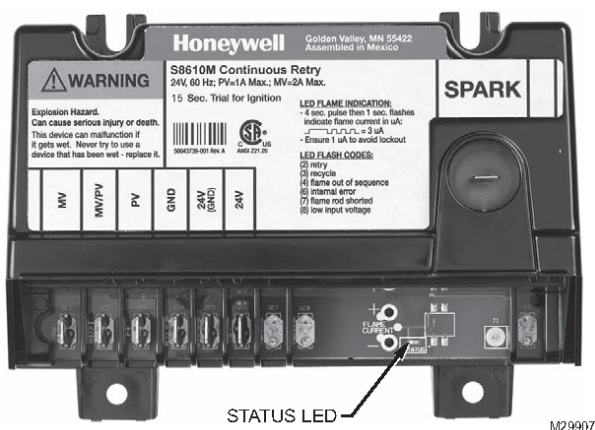


Figure 11-1: Location of LED

Table 11-2: Ignition Module Terminal Cross-Reference

Ignition Module Terminal Designation	Wiring Ladder Diagram Terminal Number
MV	1
MV/PV	2
PV	3
GND	4
24V (GND)	5
24V	6
SPARK	SPARK

1. Flame Current Measurement Procedure.

See Figure 11-3 “Measuring pilot flame current with micro-ammeter”.

- Pilot flame current in micro amps can be measured using any standard micro-ammeter by inserting meter probes into module holes labeled FLAME CURRENT as shown in Figure 11-3.

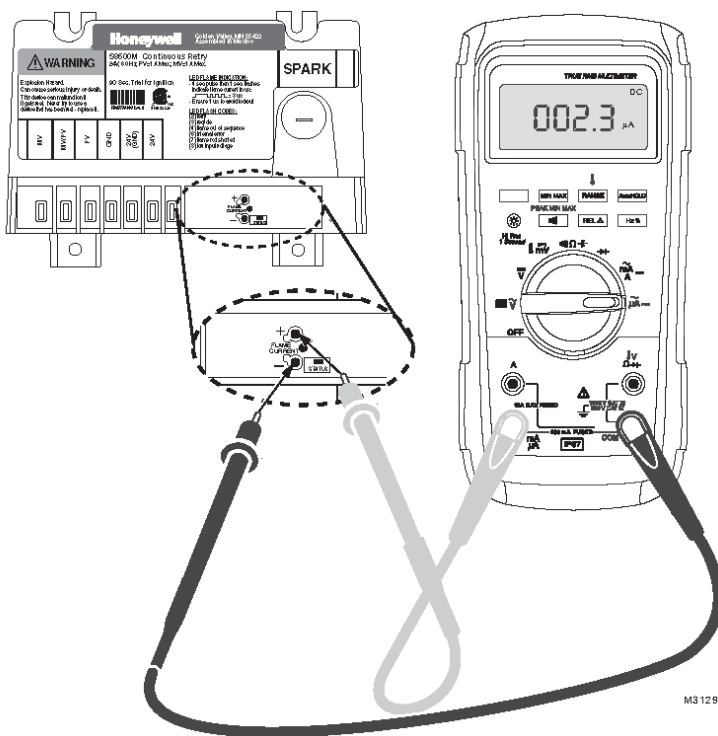


Figure 11-3: Measuring Pilot Flame Current with Micro-ammeter

- Flame current **must be measured with pilot valve open/pilot lit but main valve closed.**
- Disconnect MV lead wire from module before measuring flame current. Trying to measure pilot flame current in series with the wiring will not yield accurate reading.
- Minimum steady pilot flame signal must be 1 μ Amp** (microampere) DC (direct current).
- For reliable operation** flame current should be **2 μ Amp or greater.**
- To ensure **adequate flame current:**
 - Turn off boiler power at circuit breaker or fuse box.
 - Clean the flame rod with emery cloth if required.
 - Make sure electrical connections are clean and tight, and wiring not damaged, repair/replace as needed.
 - Check for igniter/sensor cracked ceramic insulator, replace if needed.

11 Operation *(continued)*

- v. Check pilot flame. It must be blue, steady and envelop flame sensing rod 3/8 in. to 1/2 in.
- vi. If needed, adjust pilot flame by turning the gas valve pilot adjustment screw clockwise to decrease or counterclockwise to increase pilot flame. Always reinstall pilot adjustment screw cover and tighten securely upon completion to assure proper gas valve operation.
- g. Reconnect MV lead wire to module upon satisfactory completion of pilot flame current measurement.
- h. Check pilot burner operation/ignition sequence during ignition cycle:
 - i. Restore boiler power at circuit breaker or fuse box.
 - ii. Set thermostat to call for heat.
 - iii. Watch ignition sequence at burner.
 - iv. If spark does not stop after pilot lights, replace ignition module.
 - v. If main burners do not light or if main burners light but system locks out, check the module ground wire and gas control as described in Figure 14-1 "Honeywell Electronic Ignition Troubleshooting Guide".

Table 11-4: Green LED Flame Codes

Green LED Flash Code ^a	Indicates	Next System Action	Recommended Service Action
OFF	No "Call for Heat"	N/A	None
Flash Fast	Power up - internal check	N/A	None
Heartbeat	Normal startup - ignition sequence started (including prepurge)	N/A	None
4 Seconds ON then "x" flashes	Device in run mode. "x" = flame current to the nearest μ A.	N/A	None
2	5 minute Retry Delay - Pilot flame not detected during trial for ignition	Initiate new trial for ignition after retry delay completed.	If system fails to light on next trial for ignition check gas supply, pilot burner, spark and flame sense wiring, flame rod contamination or out of position, burner ground connection.
3	Recycle - Flame failed during run	Initiate new trial for ignition. Flash code will remain through ignition trial until flame is proved.	If system fails to light on next trial for ignition, check gas supply, pilot burner, flame sense wiring, contamination of flame rod, burner ground connection.
4	Flame sensed out of sequence	If situation self corrects within 10 seconds, control returns to normal sequence. If flame out of sequence remains longer than 10 seconds, control will resume normal operation 1 hour after error is corrected.	Check for pilot flame. Replace gas valve if pilot flame present. If no pilot flame, cycle "Call for Heat." If error repeats, replace control.
6	Control Internal Error	Control remains in wait mode. When fault corrects, control resumes normal operation.	Cycle "Call for Heat". If error repeats, replace control.
7	Flame rod shorted to ground	Control remains in wait mode. When fault corrects, control resumes normal operation.	Check flame sense lead wire for damage or shorting. Check that flame rod is in proper position. Check flame rod ceramic for cracks, damage or tracking.
8	Low secondary voltage supply- (below 15.5 VAC)	Control remains in wait mode. When fault corrects, control resumes normal operation.	Check transformer and AC line for proper input voltage to control. Check with full system load on the transformer.

^aFlash Code Descriptions:

- Flash Fast: rapid blinking
- Heartbeat: Constant 1/2 second bright, 1/2 second dim cycles.
- 4 second solid on pulse followed by "x" 1 second flashes indicates flame current to the nearest μ A. This is only available in run mode.
- A single flash code number signifies that the LED flashes X times at 2Hz, remains off for two seconds, and then repeats the sequence.

12 Before Leaving Jobsite

Before Leaving Jobsite:

- Boiler and system filled with water
- Performed gas leak test
- Checked pilot burner flame
- Checked main burner flames
- Checked gas input rate
- Checked gas inlet pressure
- Checked gas manifold pressure
- Checked CO level in vent
- Checked vent damper operation
- Check ignition system safety shut-off device
- Tested LWCO functionality
- Tested high limit operation
- Tested additional field-installed controls for functionality outlined by manufacturer. (i.e. additional LWCO, additional high limit, or other controls if used)
- Button on blocked vent switch pushed in
- Reviewed User's Information Manual and system operation with owner or operator

13 Service and Maintenance

Important Product Safety Information: Refractory Ceramic Fiber Product

WARNING

Some boiler components use materials that contain refractory ceramic fibers (RCF). RCF has been classified as a possible human carcinogen. When exposed to elevated temperatures, RCF may change into crystalline silica, a known carcinogen. When disturbed as a result of servicing or repair, these substances become airborne and, if inhaled, may be hazardous to your health. Avoid breathing RCF particulates and dust.

Precautionary Measures:

- Do not handle RCF parts or attempt any service or repair work involving RCF without wearing the following protective gear:
 1. A properly fitting National Institute for Occupational Safety and Health (NIOSH)-certified air-purifying respirator with a filter efficiency of at least 95%. Respirator should also include a full facepiece when handling used RCF. Other types of respirators may be required depending on site conditions. Current NIOSH recommendations may be found on the NIOSH website <http://www.cdc.gov/niosh/homepage.html>. NIOSH-approved manufacturers, respirators and associated user instructions are listed on the NIOSH website.
 2. Long sleeved, loose fitting clothing that is sufficiently tight around potential entry points for RCF dust.
 3. Gloves.
 4. Eye protection, such as goggles, safety glasses with side shields, or full facepiece.
- Take steps to assure adequate ventilation.
- Handle RCF carefully to minimize airborne dust. Use hand tools whenever possible.
- Dampen used RCF with light water spray prior to removal to prevent airborne dust.
- Do not use compressed air or dry sweeping for clean-up. Frequently clean work area with a vacuum or by wet sweeping to minimize debris accumulation.
- Vacuum work clothes before leaving work area. Wash work clothes separately from other laundry and rinse washing machine after use to avoid contaminating other clothes.
- Wash all exposed body areas gently with soap and water after contact.
- Discard used RCF components by sealing in an airtight plastic bag or container. Refer to local, regional, state or provincial regulations to identify applicable disposal requirements.

First Aid Procedures:

- Eye contact: Flush with water for at least 15 minutes. **Do not rub eyes.** Seek immediate medical attention if irritation persists.
- Skin contact: Wash affected area gently with soap and water. Do not rub or scratch affected skin. Seek immediate medical attention if irritation persists.
- Nose and throat contact: If these become irritated, leave the area and move to a location with clean fresh air. Drink water and blow nose. Seek immediate medical attention if symptoms persist.

13 Service and Maintenance *(continued)*

WARNING

This boiler should be serviced by a qualified installer, service agency, or gas supplier. Inspections should be performed at intervals specified in this manual. Maintain manual in a legible condition.

- Keep boiler area clear and free of combustible materials, gasoline and other flammable vapors and liquids.
- Do not place any obstructions in boiler room that will hinder flow of combustion and ventilation air.

DANGER

Explosion Hazard. Electrical Shock Hazard. Burn Hazard. This boiler uses flammable gas, high voltage electricity moving parts, and steam under pressure. Assure that all gas and electric power supplies are turned off. Make sure boiler is not under pressure and temperature is cool before attempting any disassembly for service. Do not rely solely on pressure gauge to make this determination.

CAUTION

Label all wires prior to disconnection when servicing controls. Wiring errors can cause improper and dangerous operation. Verify proper operation after servicing.

Annual Inspection

- Vent system
- Boiler flue passages
- Burners
- Water piping
- Temperature/pressure gauge
- Relief valve operation
- Gas piping
- Air openings
- Pilot flame
- Main burner flame
- Gas inlet pressure
- Gas outlet pressure

Annual Test

- Gas input rate to boiler
- Measure CO in vent
- Vent damper operation
- LWCO
- High limit control
- Thermostat operation
- CO detector operation
- Check ignition system safety shut-off device.

1. Inspection and service should be conducted annually. Turn off electrical power and gas supply while conducting service of maintenance. Follow instructions TO TURN OFF GAS TO APPLIANCE. See Figure 10-2.
2. Inspect Vent System.
 - A. Remove obstructions in vent pipe and chimney.
 - B. If masonry chimney is lined, verify lining is in good condition and there are no openings into chimney.
 - C. Remove soot accumulations with wire brush and vacuum.
 - D. Repair or replace deteriorated vent pipe and vent accessories.
 - E. Inspect piping to determine that it is adequately supported. Repair sags.
 - F. Repair leaking joints.
3. Inspect boiler flue passages for blockage or soot accumulation.
 - A. Remove vent pipe and vent damper.
 - B. Remove sheet metal screws securing jacket top panel. Remove top panel.
 - C. Remove screws securing canopy to section assembly. Remove canopy.
 - D. Using flashlight, examine all flue passageways.
 - i. If passageways are free of soot and obstruction, replace canopy, secure and seal.
 - ii. If passageways need cleaning, remove burners as described in Paragraph D. Using long handle wire or bristle flue brush and vacuum, brush flueways thoroughly from top of boiler.
 - E. Install new gasket material (See Section 16: Service Parts). Install canopy.
 - F. Install jacket top panel, vent damper, and vent pipe.

13 Service and Maintenance *(continued)*

4. Clean Main Burners and Combustion Chamber.
 - A. To remove burners for cleaning, changing orifices, or repairs:
 - i. Remove Jacket Front Panel.
 - ii. Disconnect pilot tubing at gas valve.
 - iii. Disconnect 3-wire plug at the gas valve.
 - iv. Remove wires to flame roll-out switch.
 - v. Disconnect ignitor sensor cable at boiler control.
 - vi. Remove burner access panel.
 - vii. Mark location of pilot main burner on the manifold if marking on manifold is missing.
 - viii. Hold burner at throat. Lift front of burner to clear orifice. Pilot burner can only be removed by lifting the burner adjacent to its right first.
 - B. Brush top of burners with a soft bristle brush. Vacuum burners.
 - C. Check orifices. Drilled passageways must be free of lint or dirt.
 - D. Vacuum tip of Pilot Burner.
 - E. Clean combustion chamber by vacuuming. Exercise care not to damage base insulation.
 - F. Install burners by reversing procedure used to remove burners. Make sure burner with pilot assembly is in same location as original installation.
5. Inspect Water Piping.
 - A. Check all system piping for leaks.
 - B. Repair any leaks before placing back into service.
6. Inspect Temperature/Pressure Gauge.
 - A. Water temperature needle should move with variation in water temperature.
 - B. Pressure needle should move with variation in pressure.
 - C. Replace gauge if needed.
7. Operate Safety Relief Valve.
 - A. When manually operating relief valve, water will discharge. Take precautions to avoid contact with hot water and avoid water damage. Inspect relief valve and lift lever to verify flow.
 - B. If relief valve leaks or will not seat properly, replace relief valve.
8. Inspect Gas Piping.
 - A. Sniff around boiler area for indication of gas leak.
 - B. Locate leaks using approved gas detector, a non corrosive leak detector fluid or other approved leak detection methods.
 - C. Repair any leaks before placing back into service and retest.
9. Inspect Air Openings.
 - A. Keep boiler area clear of combustible materials.
 - B. Remove any obstructions in boiler room that will hinder flow of combustion and ventilation air and dilution air.
10. Follow Section 11 instructions to put boiler back into operation.
11. Check CO detector operation (if available).
12. Lubrication. There are no parts requiring lubrication by service technician or owner. Circulator bearings are water lubricated.
13. If remodeling has occurred, verify combustion air supply is adequate.

DANGER

Explosion Hazard.

Do not use matches, candles, open flames, or other ignition sources to check for leaks. Failure to comply could result in severe personal injury, death, or substantial property damage.

WARNING

Be careful handling pilot tubing. Do not crimp or crack pilot tube. Leaking pilot tubing could result in serious injury, or substantial property damage.

Check burners to see that they are located properly in slot at rear of burner tray. Reinstall burner access panel. Reconnect flame roll-out switch wires, pilot gas supply, and pilot lead.

- G. Connect pilot gas supply, igniter/sensor wire, and ground wire at Boiler Control.
- F. Install Burner Access Panel. Connect Flame Rollout Switch wires.

14 How It Works

See Figure 14-1 for component locations.

1	Hydrostat 3200	HydroStat 3200 contains features such as high limit switch, Low Water Cut-Off, and circulator relay. Energy is saved by using a thermal target feature which adjusts boiler target temperature depending on heat required.
		Dual sensor for boiler temperature control and protection against potentially damaging low water conditions in boiler. In event of low water condition, "LOW WATER" LED will turn on and control will shutdown burner. Can be configured for auto reset or manual reset LWCO.
		When thermostat calls for heat, HydroStat 3200 starts system circulator, checks safety limits, and activates vent damper.
		HydroStat 3200 indicates boiler status. Indicator lights provide assistance with troubleshooting. See Hydrostat 3200 installation instructions and operating manual for more information.
2	Resideo S8610M Ignition Control Module	Resideo S8610M ignition module provides ignition control.
		When vent damper fully opens, ignition module is energized. Module energizes pilot gas valve and activates ignition spark.
		Once pilot flame is established, ignition module will sense pilot flame and open main gas valve. Main burners will ignite.
		When thermostat is satisfied, ignition module turns off gas valve, vent damper closes, and circulator de-energizes.
		Resideo S8610M indicator lights provide assistance with troubleshooting. See Table 11-4 for more information.
3	Blocked Vent Switch	If vent becomes blocked, switch will open (requiring manual reset) and cause burners to shut down.
4	Flame Roll-Out Switch	If flames roll out of burner tubes, switch will open (requiring replacement) and cause burners to shut down. If switch trips, determine cause of flame roll-out before replacing switch.
5	Gas Valve	Regulates gas flow to boiler.
6	Pilot	Provides ignition source for burner lighting.
7	Vent Damper	Vent Damper closes during off cycles to reduce heat loss from house to vent.

WARNING

- An open blocked vent switch is indicative of a problem with the vent system. If blocked vent switch opens, the cause of the venting problem must be found and corrected by a qualified installer, service agency, or gas supplier before the blocked vent switch is reset.
- An open flame rollout switch is usually indicative of a plugged heat exchanger. Cause of the flame rollout must be found and corrected by a qualified installed, service agency, or gas supplier, and switch replaced with an identical one, before the boiler is returned to operation.

14 How It Works *(continued)*

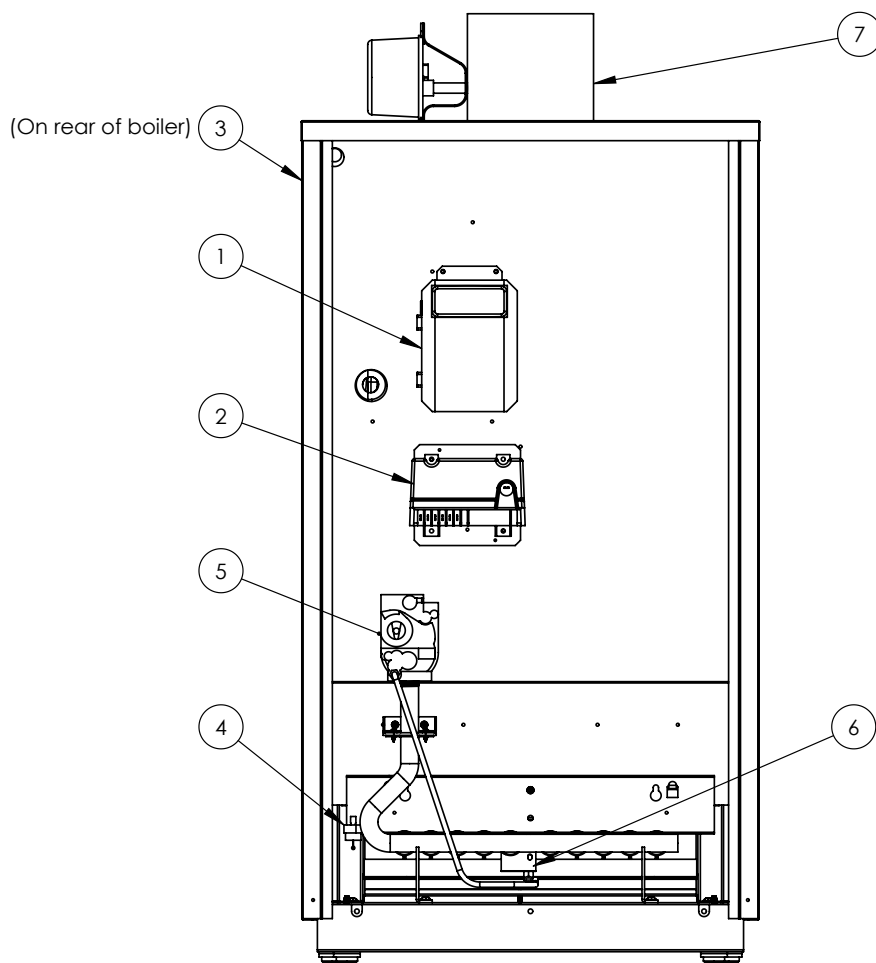
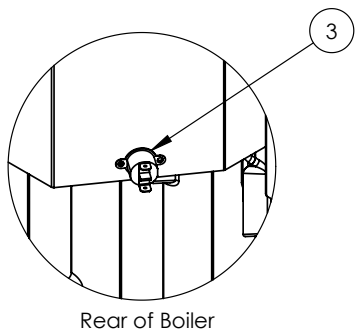


Figure 14-1: Control Locations

15 Troubleshooting

A. Before Troubleshooting

When troubleshooting boiler, keep in mind:

1. Troubleshooting should be completed by a professional heating technician.
2. Before seeking technical assistance, the servicing technician should have an electrical meter and gas pressure gauge available for use.
3. Check electrical connections on boiler before proceeding (see Figure 9-1 and Figure 9-2).
4. Ensure 120 VAC power polarity is correct, and boiler is properly grounded.
5. Controls are tested during manufacturing process. Defective control is least likely cause of failure.

B. Temperature Limit/LWCO Control

Refer to the HydroStat 3200 Installation Instructions and Operating Manual included with these instructions.

C. Electronic Ignition Module (see Figure 15-1)

15 Troubleshooting *(continued)*

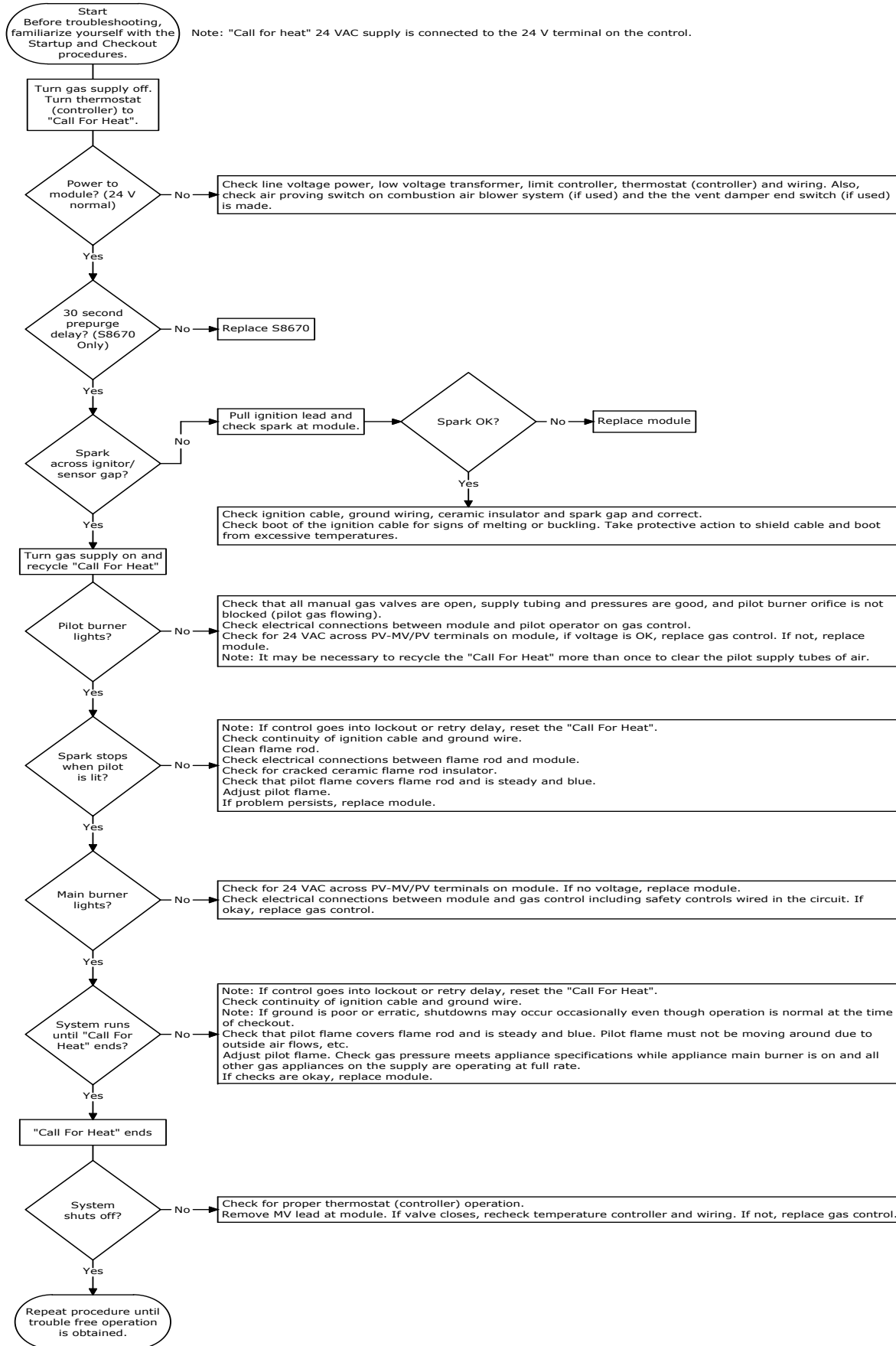
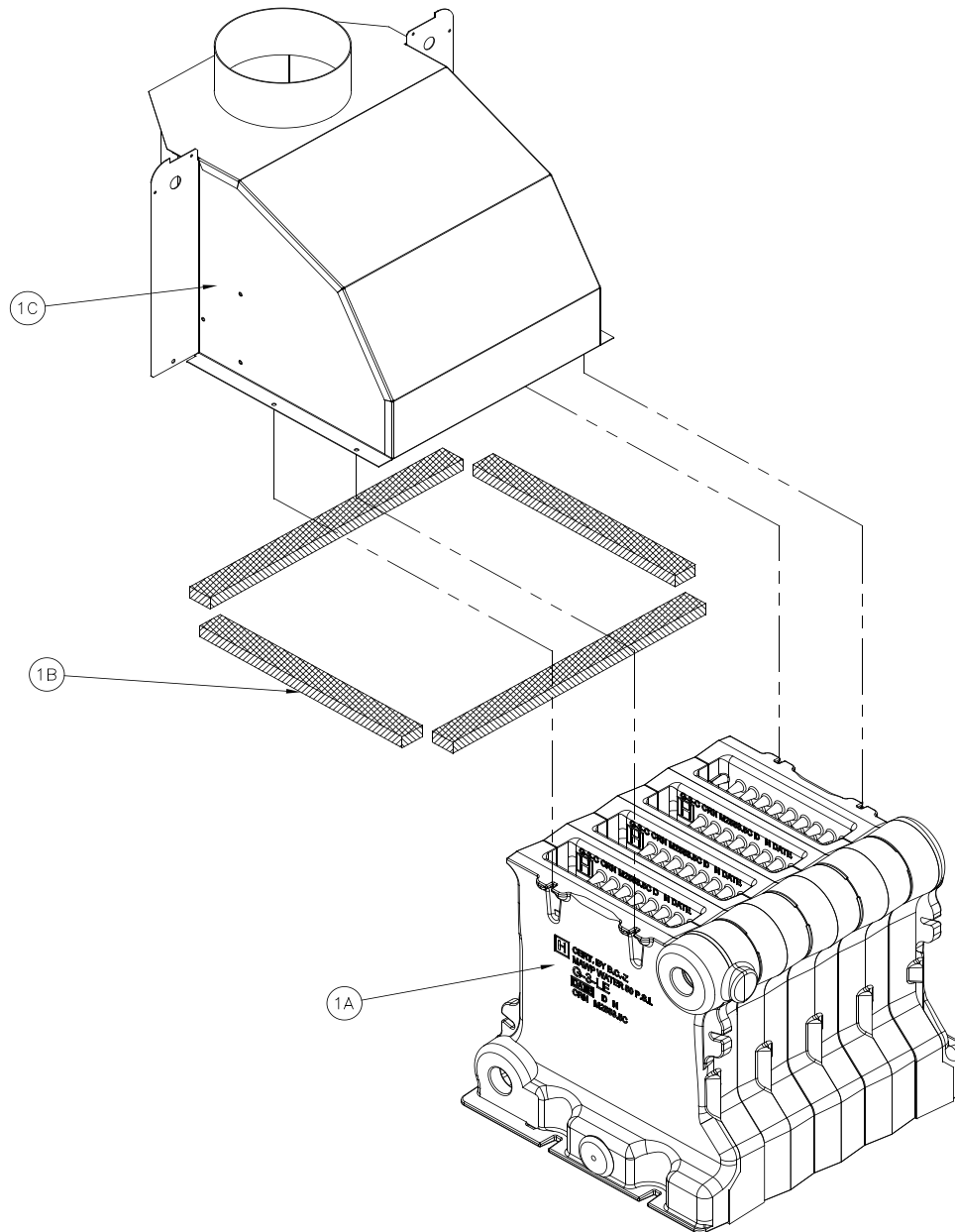


Figure 15-1: Troubleshooting Guide, Honeywell Electronic Ignition (EI)

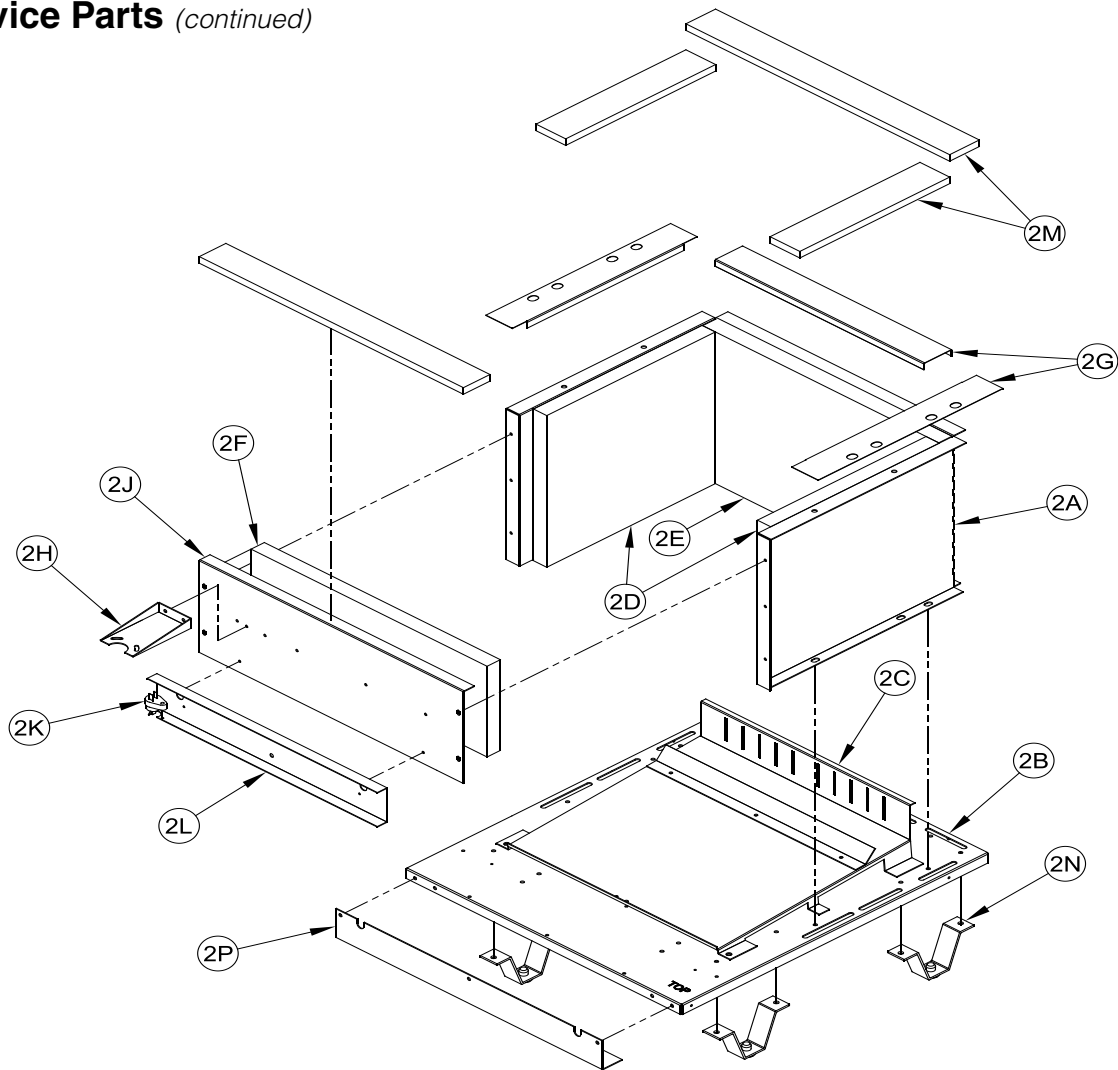
16 Service Parts

All Lancer Service Parts may be obtained through your local Archer Boilers Wholesale Distributor. Should you require assistance in locating an Archer Distributor in your area or have questions regarding the availability of Archer products or service parts, please contact Customer Service at (888) 432-8887.



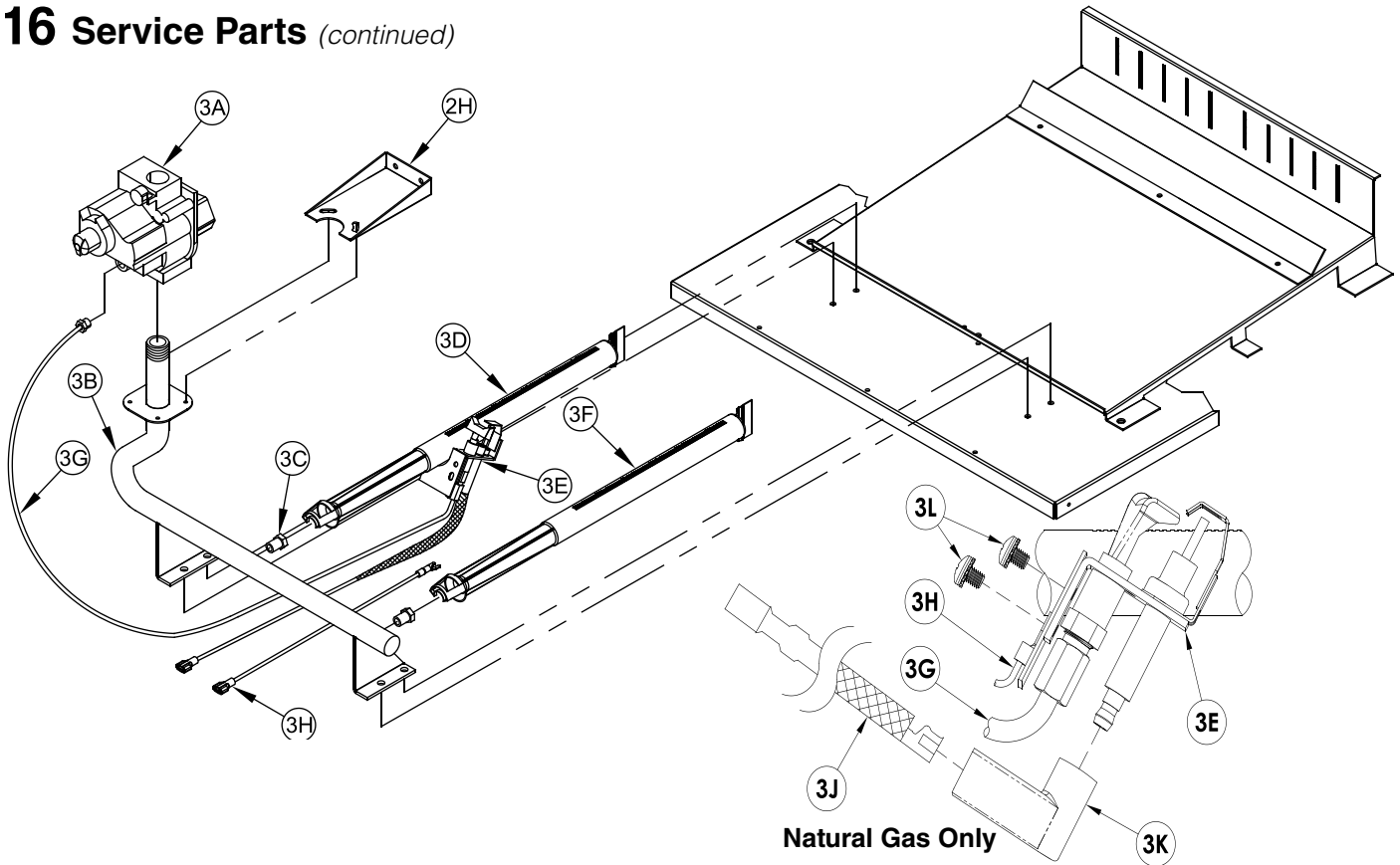
Key No.	Description	Part Number [Quantity]				
		LCR-2-038	LCR-3-068	LCR-4-102	LCR-5-136	LCR-6-170
1A	Block Assembly	109607-02 [1]	109607-03 [1]	109607-04 [1]	109607-05 [1]	109607-06 [1]
1B	Canopy Gasket Kit	6206001 [1]				
1C	Canopy Assembly	109617-02 [1]	109617-03 [1]	109617-04 [1]	109617-05 [1]	109617-06 [1]
Not Shown	Blocked Vent Switch (see Figure 6-1)	109742-01 [1]				

16 Service Parts *(continued)*



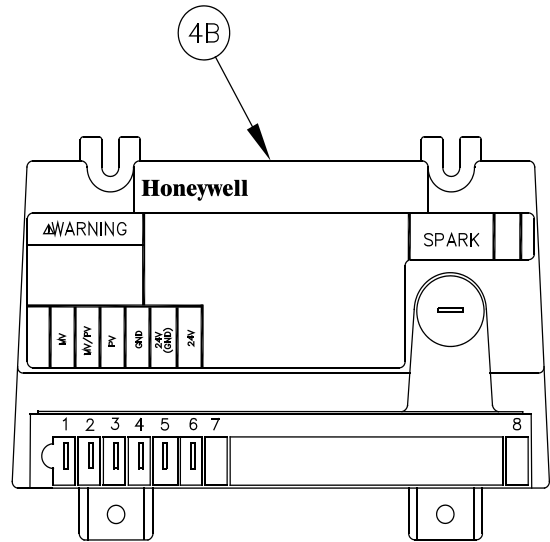
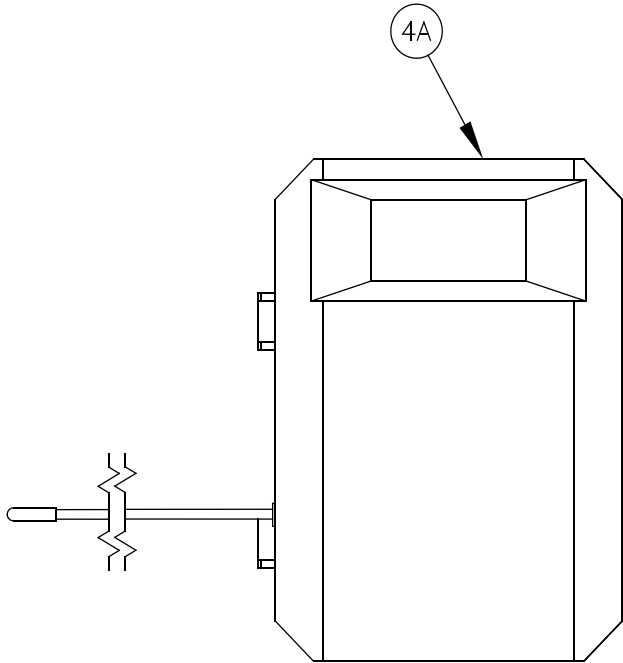
Key No.	Description	Part Number [Quantity]				
		LCR-2-038	LCR-3-068	LCR-4-102	LCR-5-136	LCR-6-170
2A	Base Wrapper					
2B	Base Tray					
2C	Burner Tray					
2D	Base Side Insulation	(Nat & LP Gas) 109613-02 [1]	(Nat Gas) 109613-03 [1]	(Nat Gas) 109613-04 [1]	(Nat Gas) 109613-05 [1]	(Nat Gas) 109613-06 [1]
2E	Base Rear Insulation					
2F	Base Front Insulation					
2G	Drip Shields					
2H	Manifold Support Bracket					
2J	Base Front Panel		(LP Gas) 110097-03 [1]	(LP Gas) 110097-04 [1]	(LP Gas) 110097-05 [1]	(LP Gas) 110097-06 [1]
2K	Flame Rollout Switch	Not Available				
2L	Burner Access Panel					
2P	Front Air Dam					
2K	Flame Rollout Switch		109616-01 [1]			
2M	Base Gasket Kit		6206002 [1]			

16 Service Parts *(continued)*



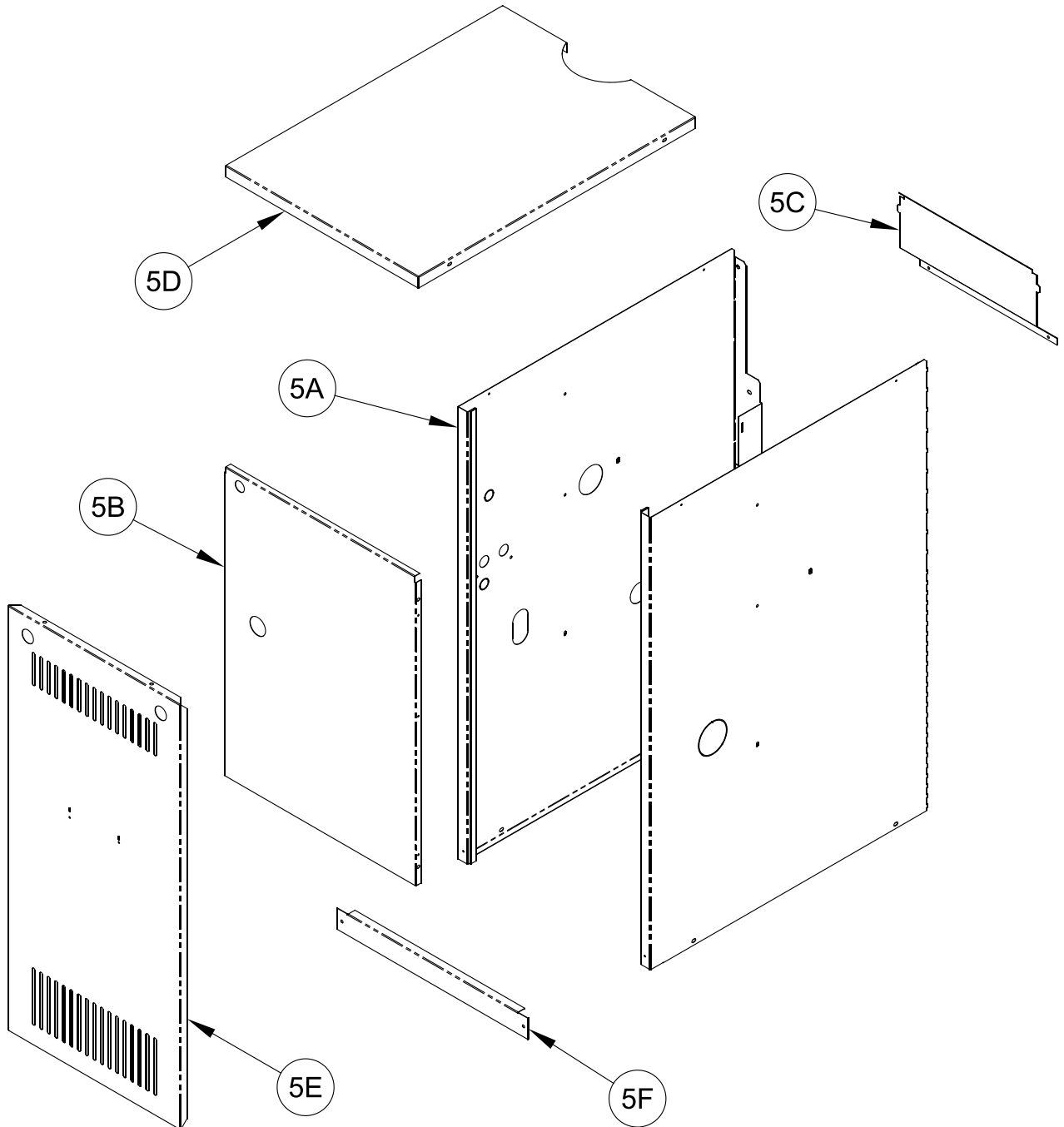
Key No.	Description	Part Number [Quantity]				
		LCR-2-038	LCR-3-068	LCR-4-102	LCR-5-136	LCR-6-170
3A	Gas Valve (Natural Gas), Honeywell VR8204C3007	109620-01 [1]				
	Gas Valve (Natural Gas), Honeywell VR8304P4496	N/A				
	Gas Valve (LP Gas), Honeywell VR8204C3015	109615-01 [1]				
	Gas Valve (LP Gas), Honeywell VR8304P4314	N/A				
3B	½ in. Gas Manifold	109731-02 [1]	109731-03 [1]	109731-04 [1]	109731-05 [1]	109731-06 [1]
	¾ in. Gas Manifold	N/A				
3C	Burner Orifices - Natural Gas	#46 109732-01 [1]	#47 109733-01 [1] (16 orifices)			
	Burner Orifices - LP Gas	1.25 mm 109735-01 [1]	1.20 mm 109734-01 [1] (16 orifices)			
3D	Pilot Burner	109629-01 [1]				
3E	Pilot Assembly - Natural Gas	108112-01 [1]				
	Pilot Assembly - LP Gas	109630-01 [1]				
3F	Main Burner	109628-01 [3 burners per kit]				
3G	1/4 in. Pilot Tubing	109611-01 [1]				
3H	Ground Wire Assembly	109982-01 [1]				
3J	Ignition Cable/Boot - Natural Gas Only	Available with 3E				
3K	Ignition Cable Boot - Natural Gas Only					
3L	Machine Screw, 10-32 x 1/4 in. with External Tooth Washer	Source Locally Natural Gas [2], LP Gas [1]				

16 Service Parts *(continued)*



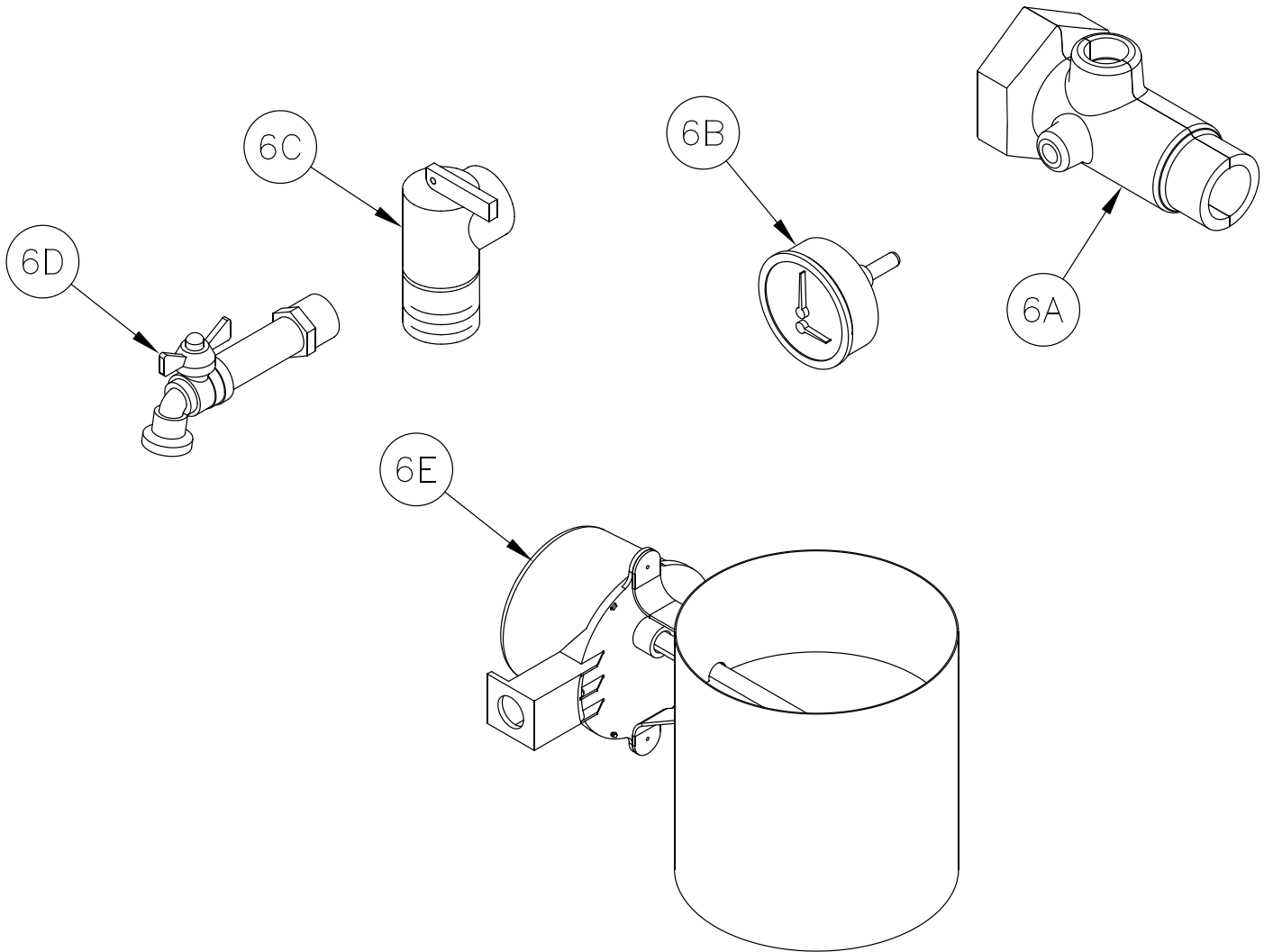
Key No.	Description	Part Number [Quantity]				
		LCR-2-038	LCR-3-068	LCR-4-102	LCR-5-136	LCR-6-170
4A	Hydrostat 3200 LWCO/Limit	109631-01 [1]				
4B	Honeywell S8610M EI Module	109633-01 [1]				

16 Service Parts *(continued)*



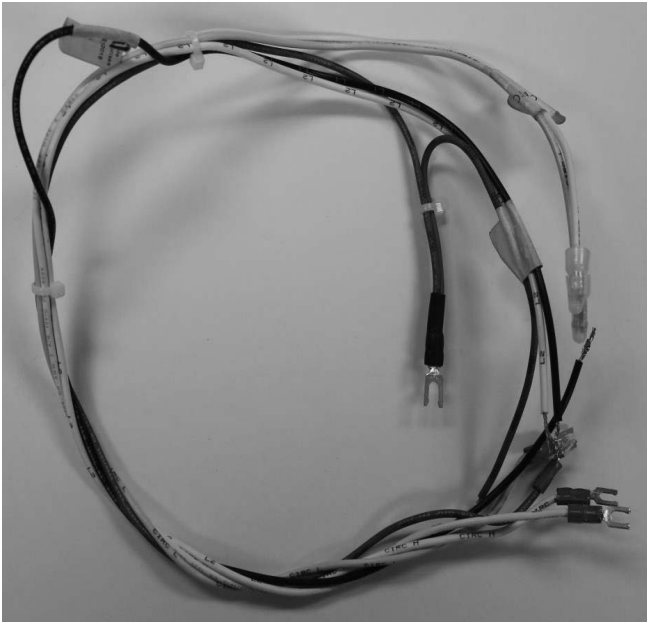
Key No.	Description	Part Number [Quantity]				
		LCR-2-038	LCR-3-068	LCR-4-102	LCR-5-136	LCR-6-170
5A	Jacket Wrap-around Jacket Panel					
5B	Jacket Vestibule Panel					
5C	Jacket Rear Discharge Chute	111847-02 [1]	111847-03 [1]	111847-04 [1]	111847-05 [1]	111847-06 [1]
5D	Jacket Top Panel					
5E	Jacket Front Door					
5F	Jacket Tie Bar					

16 Service Parts *(continued)*

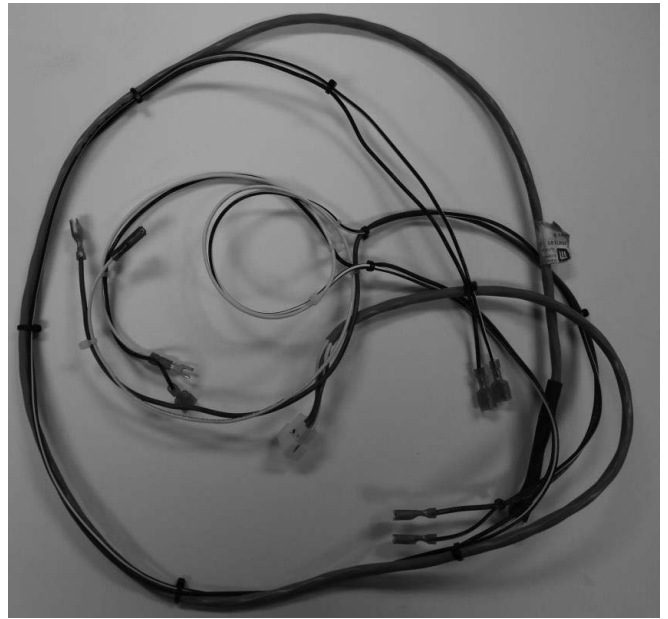


Key No.	Description	Part Number [Quantity]				
		LCR-2-038	LCR-3-068	LCR-4-102	LCR-5-136	LCR-6-170
6A	Supply Water Manifold	109614-01 [1]				
6B	Temperature/Pressure Gauge	105894-01 [1]				
6C	30 PSI Relief Valve	109038-01 [1]				
6D	Drain Valve	Obtain Locally (3/4 in. NPT boiler connection)				
6E	Vent Damper	109634-01 [1]	109634-02 [1]	109634-03 [1]		
Not Shown	Taco 007	Obtain Locally				
	Grundfos Alpha 15-55	Obtain Locally				

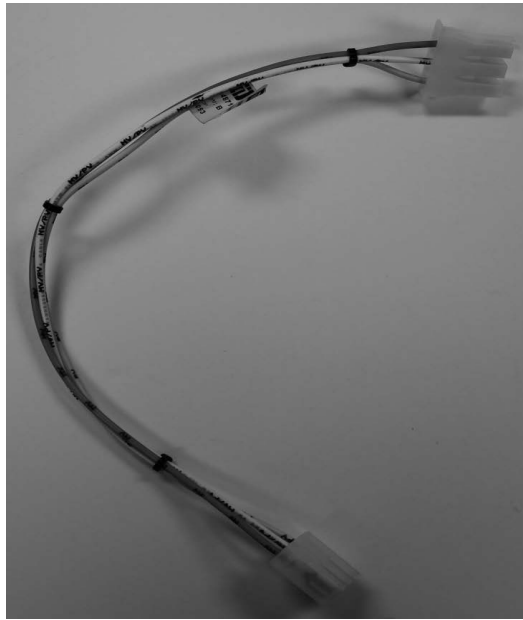
16 Service Parts *(continued)*



7A



7B



7C

Key No.	Description	Part Number [Quantity]				
		LCR-2-038	LCR-3-068	LCR-4-102	LCR-5-136	LCR-6-170
7A	Power Supply Harness	109636-01 [1]				
7B	Main Control Harness	109637-01 [1]				
7C	Ignition Harness	109641-01 [1]				

Accessories:

Key No.	Description	Part Number [Quantity]				
		LCR-2-038	LCR-3-068	LCR-4-102	LCR-5-136	LCR-6-170
Not Shown	Boiler Bypass Kit	107795-01 [1]				

Appendix A Combination Refrigeration/ Heating System

1. If boiler is used in connection with refrigeration systems, boiler must be installed with chilled medium piped in parallel with the heating boiler using appropriate valves to prevent chilled medium from entering boiler. See Figure A-1. Also consult Residential Hydronic Heating Installation and Design I=B=R Guide.
2. If boiler is connected to heating coils located in air handling units where they may be exposed to refrigerated air, boiler piping must be equipped with flow control valves or other automatic means to prevent gravity circulation of boiler water during operation of cooling system.

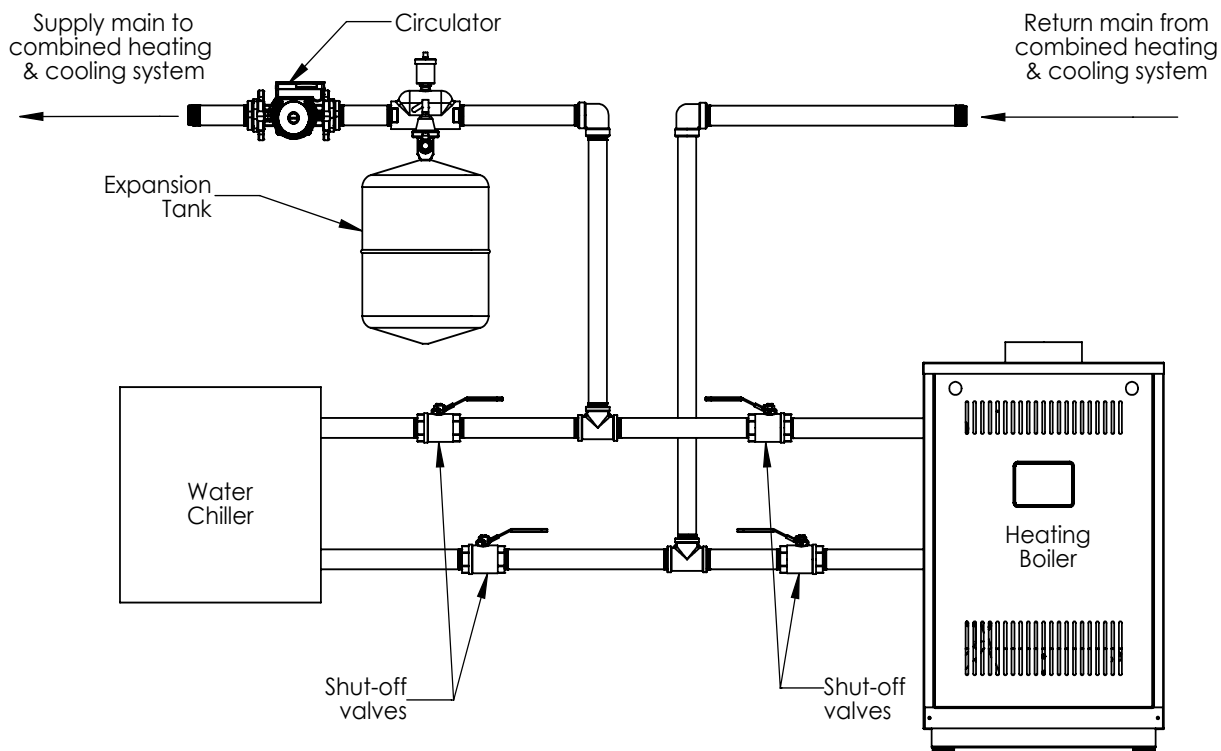


Figure A-1: Isolated Boiler from Refrigeration System

Appendix B Water Quality and Boiler Additives

The heat exchanger used in this boiler is made from cast-iron. Once filled with water, it will be subjected to effects of corrosion as well as fouling from any debris introduced from the system. Take the following precautions to minimize chance of severe heat exchanger damage caused by corrosion and/or overheating.

1. Flush system before connecting boiler.

In a replacement installation, flushing system will remove impurities, such as sediment, solder flux, metal shavings and traces of old boiler additives. Even if system is new, do not omit this step – new systems will contain flux and may even contain other impurities listed above.

Flush system completely and repeat if necessary to completely remove these contaminants. If necessary, a cleaning agent may be used to assist in system cleaning. See Section 10 Start-up and Checkout for recommended cleaners.

2. Make sure the system is tight-

this is the single most important guideline.

Tap water contains dissolved oxygen which causes corrosion. In a tight system, this oxygen comes out of solution and is quickly removed from system through automatic air vent. System then remains essentially free of oxygen.

If system is not tight, however, frequent additions of make-up water can expose heat exchanger to oxygen on a continuous basis. In addition, frequent additions of hard make-up water can cause calcium deposits to collect in heat exchanger, causing severe damage. To minimize additions of make-up water.

- A. Inspect system thoroughly for leaks before putting it into service.
- B. If system includes underground piping or other piping in which a leak might go undetected, consider isolating boiler from the system with a heat exchanger.
- C. Make sure expansion tank is properly sized and in good condition, if it is not, safety relief valve may open frequently, resulting in regular additions of make-up water.
- D. If an automatic fill valve is installed, installation of a water meter in fill line is strongly recommended so routine additions of make-up water can be detected and their cause corrected.

3. Non-metallic tubing - even if system is tight, oxygen can be introduced into system through some types of non-metallic tubing used in radiant or snow melt systems.

Other non-metallic tubing is equipped with an oxygen barrier to prevent migration of oxygen into water. If boiler is to be installed in a system containing non-metallic tubing without an oxygen barrier, it must be isolated from boiler with a heat exchanger.

4. Water chemistry, antifreeze, and boiler water additives – improper boiler water chemistry can cause the heat exchanger damage described above, as well as deterioration.
5. Avoid use of petroleum based boiler additives and ester-based oils/lubricants. These can attack seals in both boiler and system.

Freeze Protection

If this freeze protection is required, use the following or its equivalent:

- A. Fernox Alphi-11
 - B. Sentinel X500 Inhibited Polypropylene Glycol
1. Refer to antifreeze manufacturer's instructions for required dosage. In general these products are a blend of glycol (for freeze protection) and inhibitors (to protect glycol from attacking metallic system components).
 2. Do not add any more antifreeze than is necessary to protect system from freeze damage.
 3. Maximum antifreeze concentration 50%.
 4. Test antifreeze and inhibitor concentration annually.
 - A. Inhibitor concentration test kit for Fernox Protector F1, 25 tests per kit. P/N 101148-01.
 - B. Inhibitor, Fernox Protector F1, 1 pint (500 mL) P/N 101147-01.
 5. Allowance must be made for additional expansion of glycol solution.
 6. Fernox products are available from:

Alent PLC Consumer Products Division
4100 6th Avenue
Altoona, PA 16602
Tel: (972) 547-6002
Email: fernox_usa@alent.com
 7. Sentinel products are available from:

Douglas Products and Packaging
1550 E. Old 210 Highway
Liberty, MO 64068
Tel: (877) 567-2560 (Toll Free) and/or selected HVAC distributors

Appendix C Low Return Water Temperatures

Thermal Shock:

Cast iron boilers are very robust. 110°F and below return water temperatures will not cause thermal shock to U.S. Boiler castings.

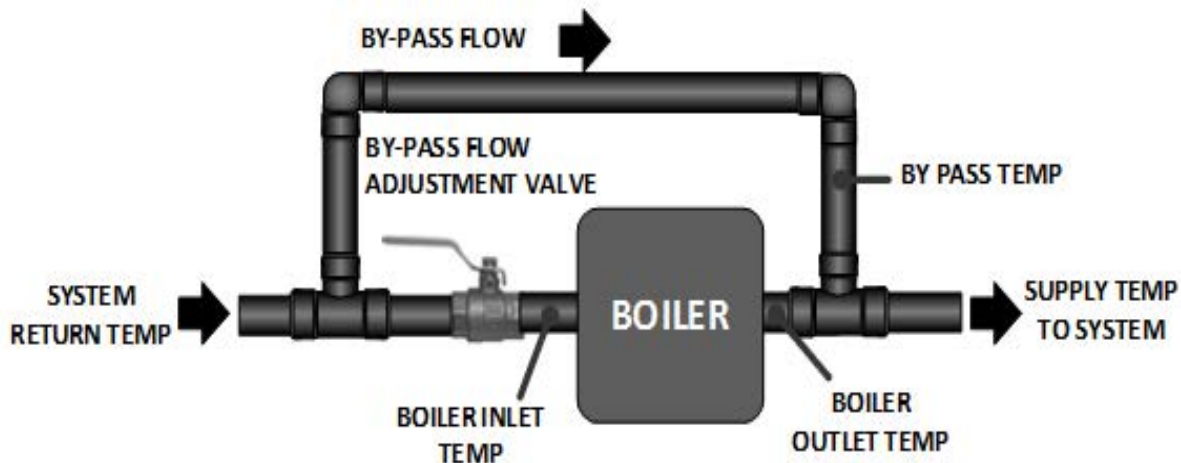
Condensation is a different matter:

Cast iron boilers will tolerate intermittent periods of condensation, but are not designed for extended condensation periods. Water temperatures below 120°F cause condensation that damage cast iron, burners and other components. This is not unique to U.S. Boiler designs. All cast iron boilers act the same way.

Typical high temperature [170°F and higher] fin tube radiation heating systems will have short condensation cycles in 'shoulder' seasons, early and late parts of the heating season. Short term condensing during these heating season 'shoulders' is unlikely to cause problems.

Larger volume systems during the 'shoulder' heating seasons or systems with aggressive set back or low temperature systems will cause extended condensation periods that will shorten boiler life.

Simple Boiler By-Pass systems are common and they can solve flow problems. These simple by-pass piping arrangements can help reduce condensation.



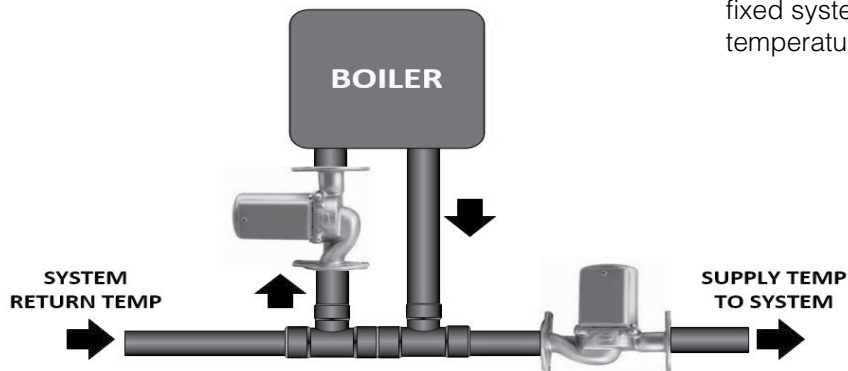
Regardless of by-pass flow, boiler will have inlet temperatures that are same as system return temperature. When boiler inlet temperatures fall below 120°F, boiler will condensate. As by-pass flow is increased, less water flows through boiler which increases boiler temperature rise. This will help reduce propensity for condensation but will not stop it.

The problem with these fixed by-pass arrangements is just that. They are fixed. As flow changes with different zones opening or water temperatures change, a simple by-pass system cannot react since it is fixed.

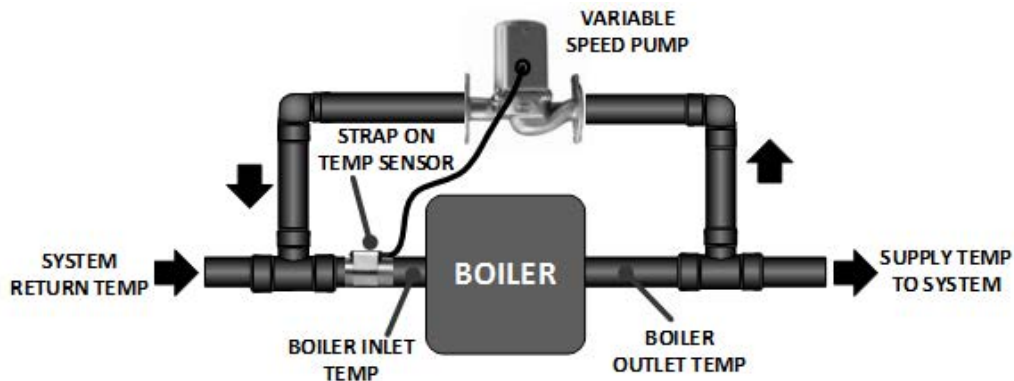
Appendix C Low Return Water Temperatures *(continued)*

Primary-Secondary Pumping:

This is an improvement over simple by-pass piping to reduce condensation. Again this is a fixed system. It can not adapt to variations in temperature and flow.



Best Alternative: U.S. Boiler offers a system by-pass kit [part number 107795-01] that addresses these situations.



A strap on temperature sensor measures boiler inlet temperatures. This temperature signal is sent to a variable speed pump that will ensure boiler inlet temperatures are always greater than the factory by-pass kit set point of 120°F.



Kit includes all fittings, pump, sensor and instructions.

