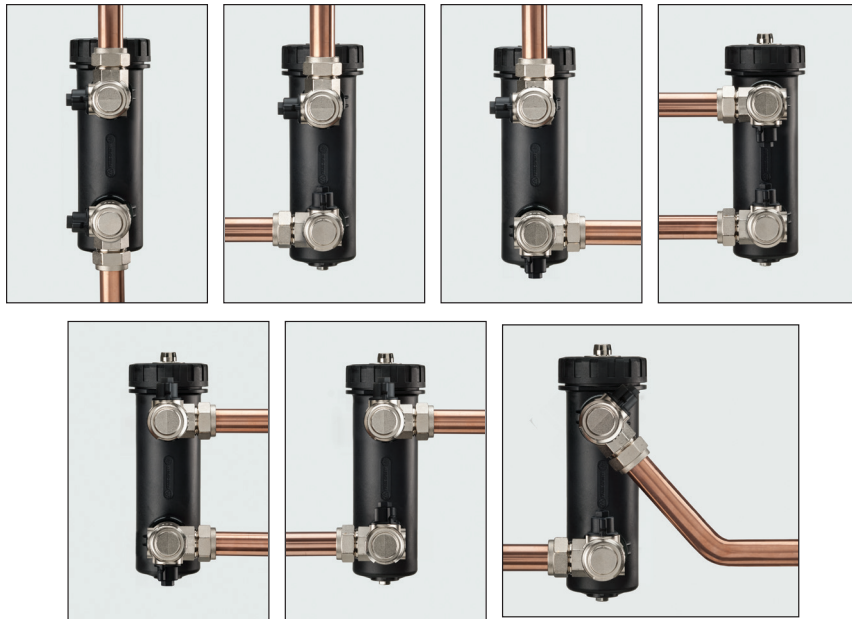


Multiple installation options

MagnaClean® Professional2XP's in-line design and 360° rotational valves provide multiple installation options for both vertical and horizontal pipework. This ensures greater flexibility within the tightest working environments.



FOR BEST RESULTS

Install and service with MC1+ Protector, the advanced system inhibitor from ADEY, the industry leaders in heating system maintenance and water treatment.

MagnaClean® Professional 2XP

Installation and servicing instructions

Maximum working pressure: 87 psi

Maximum working temperature: 203°F

Flow rate: Recommended rate for optimum capture up to 21 gallons per minute

Connection: 1" copper compression for copper pipework with 1" FTG to 1¼" NPT female adapters for black iron pipework

CAUTION:



MagnaClean filter contains a strong magnet. Keep away from all electrical devices, bank cards and other magnetic devices.



MagnaClean filter contains a strong magnet. Caution should be taken at all times when handling if you have a pacemaker fitted.



MagnaClean filter is a pressurized device. Always release pressure before servicing.



Unit may be hot in operation. Handle with care.



Toll free: 844 378 0442 | Office: 412 406 8292 | Email: info@adeyusa.com
adeyusa.com

M08616 LF2-01-02598



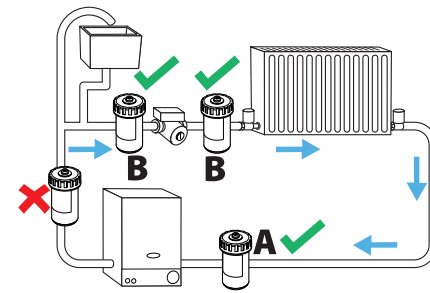
Installation

MagnaClean® Professional2XP has been developed by the industry leading and multi-award winning company that pioneered magnetic filtration. ADEY's filters protect over three million heating systems throughout Europe removing virtually 100% of the damaging suspended black iron oxide sludge that builds up in all hydronic heating systems.

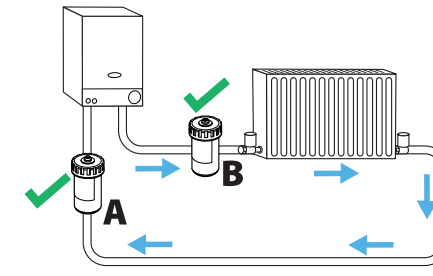
The x-treme performance dual-action filter can be installed anywhere on the main circuit. However, to achieve the best level of protection for the boiler or baseboard, it is recommended that **MagnaClean Professional2XP** is installed after the last radiator and before the boiler.

The following instructions are designed to support engineers in the safe and effective installation and servicing of **MagnaClean Professional2XP** and should be followed at all times.

Any queries should be directed to ADEY on **844 378 0442**



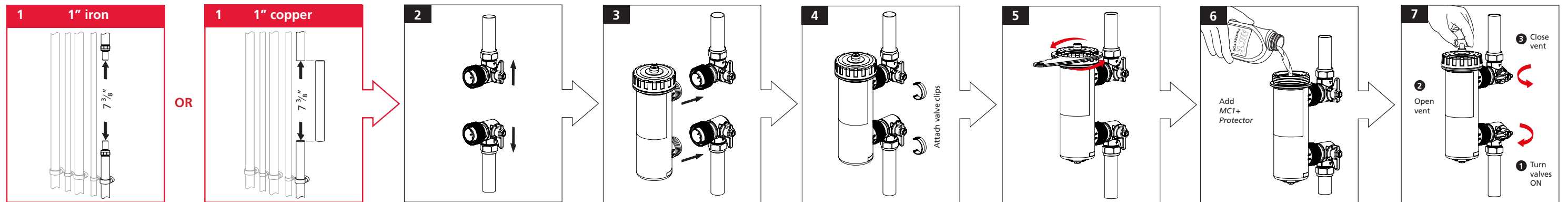
Open vented system



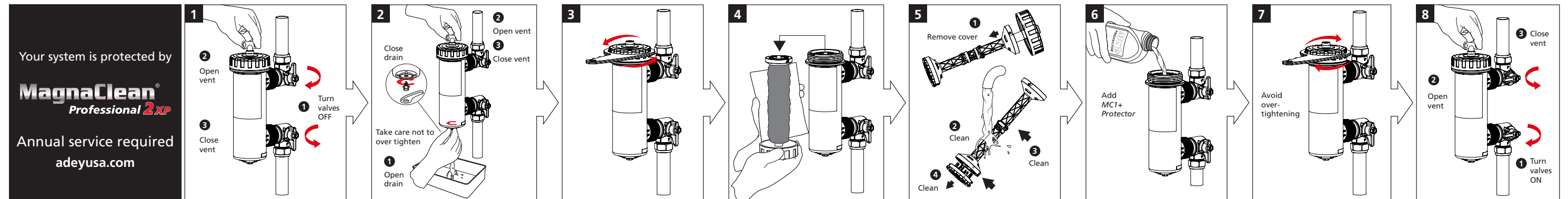
Tankless/ Sealed system

In both diagrams, position **A** is best practice, while **B** is suitable.

Note: We firmly recommend **MagnaClean Professional2XP** is installed and serviced by a qualified heating engineer.



Servicing



Your system is protected by
MagnaClean® Professional2XP
 Annual service required
adeyusa.com