

350 Series

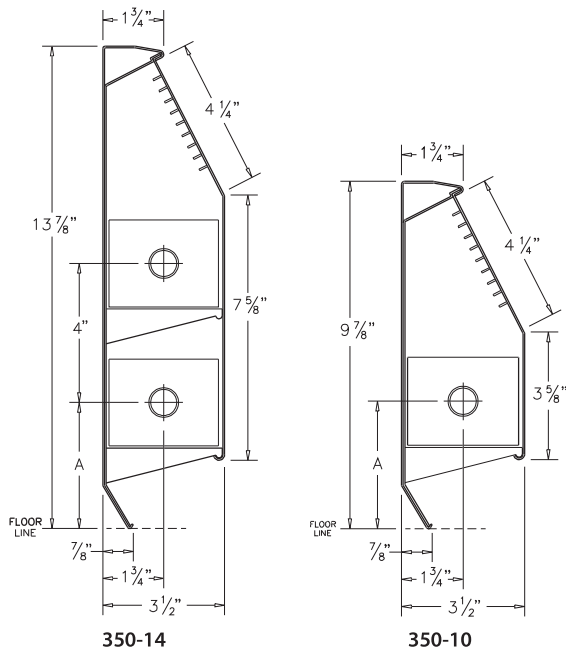
Ratings

Model Number	Element Type	Rows of Heating Element	Tube Size & Material	Aluminum Fin Size	Fins Per Foot	Water Flow	Pressure Drop ⁽¹⁾	Steam PSI Btu./Hr. Per Foot	HOT WATER RATINGS*											
									BTU/HR/FT. (Flow Rate 3 Ft./Sec.)											
									110°F 43°C	120°F 49°C	130°F 54°C	140°F 60°C	150°F 66°C	160°F 71°C	170°F 77°C	180°F 82°C	190°F 88°C	200°F 93°C	210°F 99°C	220°F 104°C
351-10	H-1	1	3/4" Copper	3 1/4" x 3 1/4" x .024"	48	1 GPM	47	N/A	230	310	390	480	570	670	770	870	980	1080	1200	1320
						4 GPM	525		250	330	410	500	600	700	810	920	1040	1140	1260	1400
353-10	H-3	1	3/4" Copper	2 3/4" x 2 1/2" x .010"	60	1 GPM	47	N/A	210	290	360	440	520	610	710	800	900	1000	1100	1220
						4 GPM	525		230	300	380	460	550	650	750	850	960	1060	1170	1290
354-10	H-4	1	1" Copper	2 3/4" x 2 1/2" x .011"	55	1 GPM	13	N/A	210	290	360	440	520	610	710	800	900	1000	1100	1220
						4 GPM	145		230	310	380	460	550	650	750	850	960	1060	1170	1290
355-10	H-5X	1	1 1/4" Copper	3 1/4" x 3 1/4" x .020"	48	1 GPM	6	1160	220	300	370	450	540	640	730	830	940	1040	1140	1260
						4 GPM	63		230	310	390	480	570	670	780	880	990	1100	1210	1340
356-10	H-6X	1	1 1/4" IPS Steel	3 1/4" x 3 1/4" x .025"	48	1 GPM	3	980	190	250	320	390	460	550	630	710	810	890	980	1080
						4 GPM	41		200	270	340	410	490	580	670	750	850	940	1040	1150
351-14	H-1	1	3/4" Copper	3 1/4" x 3 1/4" x .024"	48	1 GPM	47	N/A	245	328	412	501	597	704	892	989	1085	1182	1279	1376
						4 GPM	525		259	347	435	530	631	744	884	1091	1198	1305	1412	1519
353-14	H-3	1	3/4" Copper	2 3/4" x 2 1/2" x .010"	60	1 GPM	47	N/A	230	309	388	472	562	661	838	929	1020	1111	1202	1293
						4 GPM	525		244	327	410	499	594	699	825	1025	1126	1226	1308	1428
354-14	H-4	1	1" Copper	2 3/4" x 2 1/2" x .011"	55	1 GPM	13	N/A	230	309	388	472	562	661	838	929	1020	1111	1202	1293
						4 GPM	145		244	327	410	499	594	699	825	1025	1126	1226	1308	1428
355-14	H-5X	1	1 1/4" Copper	3 1/4" x 3 1/4" x .020"	48	1 GPM	6	1280	236	317	397	484	576	678	859	952	1045	1139	1233	1326
						4 GPM	63		250	335	420	512	609	717	848	1051	1154	1257	1361	1464
356-14	H-6X	1	1 1/4" IPS Steel	3 1/4" x 3 1/4" x .025"	48	1 GPM	3	1105	204	273	343	417	497	585	742	822	903	984	1064	1145
						4 GPM	41		215	289	362	441	525	618	819	907	997	1085	1175	1265
351-14	H-1	2	3/4" Copper	3 1/4" x 3 1/4" x .024"	48	1 GPM	47	N/A	360	480	610	740	880	1040	1290	1440	1590	1740	1890	2030
						4 GPM	525		380	510	640	780	970	1150	1420	1590	1750	1920	2080	2250
353-14	H-3	2	3/4" Copper	2 3/4" x 2 1/2" x .010"	60	1 GPM	47	N/A	340	460	570	700	830	980	1210	1350	1490	1630	1770	1910
						4 GPM	525		360	490	600	740	910	1080	1340	1490	1650	1800	1960	2110
354-14	H-4	2	1" Copper	2 3/4" x 2 1/2" x .011"	55	1 GPM	13	N/A	340	460	570	700	830	980	1210	1350	1490	1630	1770	1910
						4 GPM	145		360	490	600	740	910	1080	1340	1490	1650	1800	1960	2110
355-14	H-5X	2	1 1/4" Copper	3 1/4" x 3 1/4" x .020"	48	1 GPM	6	1890	350	470	590	710	850	1000	1240	1390	1530	1670	1820	1960
						4 GPM	63		370	500	620	750	940	1100	1370	1530	1690	1850	2010	2160
356-14	H-6X	2	1 1/4" IPS Steel	3 1/4" x 3 1/4" x .025"	48	1 GPM	3	1630	300	400	500	610	730	860	1070	1200	1320	1450	1570	1690
						4 GPM	41		320	420	530	640	810	950	1190	1320	1460	1600	1730	1870

* Based on 65°F entering air temperature. (1) Millinches per foot.

Note: Ratings are based on active finned length (3" less than overall length), and include 15% heating effect factor. Use 4 GPM ratings only when flow is known to be equal to or greater than 4 GPM; otherwise 1 GPM ratings must be used.

Dimensions



Model	Element "A"	Dimension
351	H-1	3-15/16"
353	H-3	3-5/8"
354	H-4	3-5/8"
355	H-5x	3-15/16"
356	H-6x	3-15/16"

Ordering Data

PACKAGING: Complete 350 Series baseboard enclosures are factory assembled and individually packaged. Cover and heating elements are packaged and sold separately. Cover includes brackets and expansion cradles.

CONSTRUCTION: Back panel and front cover fully assembled at factory, ready to fasten to the wall.

DEPTH: 3-1/2"

HEIGHT: 9-7/8" (one tier) and 13-7/8" (one or two tier)

LENGTHS: 2', 3', 4', 5', 6', 7', 8'

MATERIAL: 19-gauge cold rolled steel front cover. 24-gauge back cover. 17-gauge brackets.

ELEMENT SUPPORT: Self-adjusting, polypropylene brackets, allowing quiet expansion.

FINISH: Nu-White powder coated finish, custom colors available.

350 SERIES MODELS:

Model 351 with H-1, 3/4" copper/aluminum fins

Model 353 with H-3, 3/4" copper/aluminum fins

Model 354 with H-4, 1" copper/aluminum fins

Model 355 with H-5X, 1-1/4" copper/aluminum fins

Model 356 with H-6X, 1-1/4" steel/aluminized steel fins