

Since 1949
Slant/Fin[®]
BASEBOARD

350 Series

High Output, Slope Top Baseboard



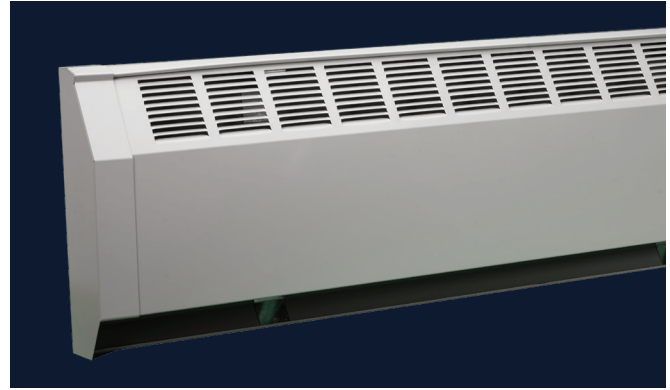
Ideal for
LIGHT COMMERCIAL & INDUSTRIAL
Hot Water or Steam Heating



350 Series

High Output, Slope Top Baseboard

350 Series baseboard combines the compactness and economy of baseboard with the high output and heavy-duty construction needed for “in-between” applications. 350 Series makes baseboard practical for industrial and commercial use, as well as apartments, multi-story construction and custom residential heating. It is also the perfect supplement for Slant/Fin 3/4" baseboard, in “problem areas” of high heat loss or limited wall space. Optional 1" and 1-1/4" copper/aluminum elements permit higher flow rates, longer series-loop runs, and lower pump loads where required. With the 1-1/4" all-steel element, 350 Series is perfect for use in one or two pipe steam systems. Matching accessories let you speed through virtually any job condition without custom cutting and fitting.



Features

- Rust Resistant
- Two heights for one (350-10) or two (350-14) heating element tiers
- Nu-White powder coated finish standard, custom colors available
- Five heating element selection
- Fully assembled and factory packaged (Elements shipped separately)
- Strong front panel resists kicks & dents

Cast-Iron Ruggedness

350 Series is engineered throughout for maximum strength. Super-strong enclosures. Extra-strength steel brackets. Heavy-duty copper and steel tubing with full mill rated bursting strength. Rock-solid interlocking fin elements are so strong you can stand on them.

Contractor Designed

Fast, economical installation. 350 Series goes straight from carton to wall—without sorting parts, wasting time. Factory pre-cut lengths of 2 to 8 feet combine with telescoping accessories to make wall-to-wall installations without cutting.

Interchangeable Heating Elements

A choice of five heating elements provides a range of output and capacity to closely match 350 baseboard to job requirements.

350 Series

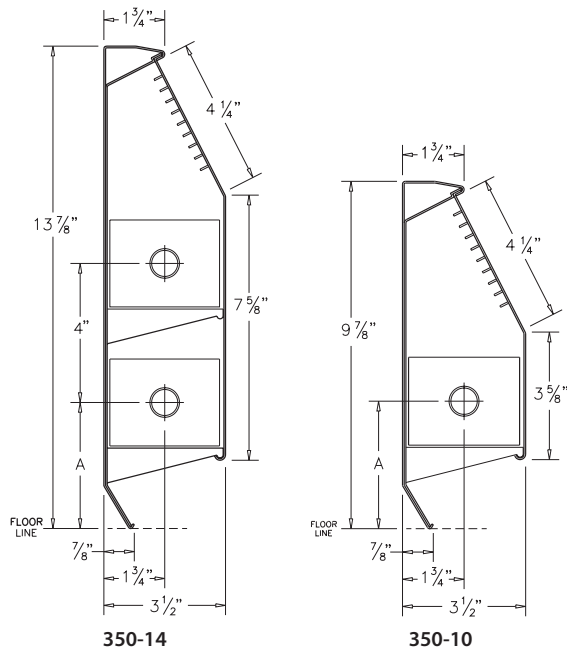
Ratings

| Model Number | Element Type | Rows of Heating Element | Tube Size & Material | Aluminum Fin Size | Fins Per Foot | Water Flow | Pressure Drop ⁽¹⁾ | Steam 1 PSI Btu./Hr. Per Foot | HOT WATER RATINGS* | | | | | | | | | | | | |
|--------------|--------------|-------------------------|----------------------|-------------------------|---------------|----------------|------------------------------|-------------------------------|-----------------------------------|---------------|---------------|---------------|---------------|---------------|---------------|---------------|---------------|---------------|---------------|----------------|--------------|
| | | | | | | | | | BTU/HR/FT. (Flow Rate 3 Ft./Sec.) | | | | | | | | | | | | |
| | | | | | | | | | 110°F 43°C | 120°F 49°C | 130°F 54°C | 140°F 60°C | 150°F 66°C | 160°F 71°C | 170°F 77°C | 180°F 82°C | 190°F 88°C | 200°F 93°C | 210°F 99°C | 220°F 104°C | |
| 351-10 | H-1 | 1 | 3/4" Copper | 3 1/4" x 3 1/4" x .024" | 48 | 1 GPM 4 GPM | 47 525 | N/A | 230 250 | 310 330 | 390 410 | 480 500 | 570 600 | 670 700 | 770 810 | 870 920 | 980 1040 | 1080 1140 | 1200 1260 | 1320 1400 | |
| 353-10 | H-3 | 1 | 3/4" Copper | 2 3/4" x 2 1/2" x .010" | 60 | 1 GPM 4 GPM | 47 525 | N/A | 210 230 | 290 300 | 360 380 | 440 460 | 520 550 | 610 650 | 710 750 | 800 850 | 900 960 | 1000 1060 | 1100 1170 | 1220 1290 | |
| 354-10 | H-4 | 1 | 1" Copper | 2 3/4" x 2 1/2" x .011" | 55 | 1 GPM 4 GPM | 13 145 | N/A | 210 230 | 290 310 | 360 380 | 440 460 | 520 550 | 610 650 | 710 750 | 800 850 | 900 960 | 1000 1060 | 1100 1170 | 1220 1290 | |
| 355-10 | H-5X | 1 | 1 1/4" Copper | 3 1/4" x 3 1/4" x .020" | 48 | 1 GPM 4 GPM | 6 63 | 1160 | 220 230 | 300 310 | 370 390 | 450 480 | 540 570 | 640 670 | 730 780 | 830 880 | 940 990 | 1040 1100 | 1140 1210 | 1260 1340 | |
| 356-10 | H-6X | 1 | 1 1/4" IPS Steel | 3 1/4" x 3 1/4" x .025" | 48 | 1 GPM 4 GPM | 3 41 | 980 | 190 200 | 250 270 | 320 340 | 390 410 | 460 490 | 550 580 | 630 670 | 710 750 | 810 850 | 890 940 | 980 1040 | 1080 1150 | |
| 351-14 | H-1 | 1 | 3/4" Copper | 3 1/4" x 3 1/4" x .024" | 48 | 1 GPM 4 GPM | 47 525 | N/A | 245 259 | 328 347 | 412 435 | 501 530 | 597 631 | 704 744 | 892 984 | 989 1091 | 1085 1198 | 1182 1305 | 1279 1412 | 1376 1519 | |
| 353-14 | H-3 | 1 | 3/4" Copper | 2 3/4" x 2 1/2" x .010" | 60 | 1 GPM 4 GPM | 47 525 | N/A | 230 244 | 309 327 | 388 410 | 472 499 | 562 594 | 661 699 | 761 825 | 838 925 | 929 1025 | 1020 1126 | 1111 1226 | 1202 1308 | 1293 1428 |
| 354-14 | H-4 | 1 | 1" Copper | 2 3/4" x 2 1/2" x .011" | 55 | 1 GPM 4 GPM | 13 145 | N/A | 230 244 | 309 327 | 388 410 | 472 499 | 562 594 | 661 699 | 761 825 | 838 925 | 929 1025 | 1020 1126 | 1111 1226 | 1202 1308 | 1293 1428 |
| 355-14 | H-5X | 1 | 1 1/4" Copper | 3 1/4" x 3 1/4" x .020" | 48 | 1 GPM 4 GPM | 6 63 | 1280 | 236 250 | 317 335 | 397 420 | 484 512 | 576 609 | 678 717 | 785 848 | 859 948 | 952 1051 | 1045 1154 | 1139 1257 | 1233 1361 | 1326 1464 |
| 356-14 | H-6X | 1 | 1 1/4" IPS Steel | 3 1/4" x 3 1/4" x .025" | 48 | 1 GPM 4 GPM | 3 41 | 1105 1870 | 204 215 | 273 289 | 343 362 | 417 441 | 497 525 | 585 618 | 742 819 | 822 907 | 903 997 | 984 1085 | 1064 1175 | 1145 1265 | |
| 351-14 | H-1 | 2 | 3/4" Copper | 3 1/4" x 3 1/4" x .024" | 48 | 1 GPM 4 GPM | 47 525 | N/A | 360 380 | 480 510 | 610 640 | 740 780 | 880 970 | 1040 1150 | 1290 1420 | 1440 1590 | 1590 1750 | 1740 1920 | 1890 2080 | 2030 2250 | |
| 353-14 | H-3 | 2 | 3/4" Copper | 2 3/4" x 2 1/2" x .010" | 60 | 1 GPM 4 GPM | 47 525 | N/A | 340 360 | 460 490 | 570 600 | 700 740 | 830 910 | 980 1080 | 1210 1340 | 1350 1490 | 1490 1650 | 1630 1800 | 1770 1960 | 1910 2110 | |
| 354-14 | H-4 | 2 | 1" Copper | 2 3/4" x 2 1/2" x .011" | 55 | 1 GPM 4 GPM | 13 145 | N/A | 340 360 | 460 490 | 570 600 | 700 740 | 830 910 | 980 1080 | 1210 1340 | 1350 1490 | 1490 1650 | 1630 1800 | 1770 1960 | 1910 2110 | |
| 355-14 | H-5X | 2 | 1 1/4" Copper | 3 1/4" x 3 1/4" x .020" | 48 | 1 GPM 4 GPM | 6 63 | 1890 | 350 370 | 470 500 | 590 620 | 710 750 | 850 940 | 1000 1100 | 1240 1370 | 1390 1530 | 1530 1690 | 1670 1850 | 1820 2010 | 1960 2160 | |
| 356-14 | H-6X | 2 | 1 1/4" IPS Steel | 3 1/4" x 3 1/4" x .025" | 48 | 1 GPM 4 GPM | 3 41 | 1630 | 300 320 | 400 420 | 500 530 | 610 640 | 730 810 | 860 950 | 1070 1190 | 1200 1320 | 1320 1460 | 1450 1600 | 1570 1730 | 1690 1870 | |

* Based on 65°F entering air temperature. (1) Millinches per foot.

Note: Ratings are based on active finned length (3" less than overall length), and include 15% heating effect factor. Use 4 GPM ratings only when flow is known to be equal to or greater than 4 GPM; otherwise 1 GPM ratings must be used.

Dimensions



Ordering Data

PACKAGING: Complete 350 Series baseboard enclosures are factory assembled and individually packaged. Cover and heating elements are packaged and sold separately. Cover includes brackets and expansion cradles.

CONSTRUCTION: Back panel and front cover fully assembled at factory, ready to fasten to the wall.

DEPTH: 3-1/2"

HEIGHT: 9-7/8" (one tier) and 13-7/8" (one or two tier)

LENGTHS: 2', 3', 4', 5', 6', 7', 8'

MATERIAL: 19-gauge cold rolled steel front cover. 24-gauge back cover. 17-gauge brackets.

ELEMENT SUPPORT: Self-adjusting, polypropylene brackets, allowing quiet expansion.

FINISH: Nu-White powder coated finish, custom colors available.

350 SERIES MODELS:

Model 351 with H-1, 3/4" copper/aluminum fins

Model 353 with H-3, 3/4" copper/aluminum fins

Model 354 with H-4, 1" copper/aluminum fins

Model 355 with H-5x, 1-1/4" copper/aluminum fins

Model 356 with H-6X, 1-1/4" steel/aluminized steel fins

| Model | Element "A" | Depth |
|-------|-------------|----------|
| 351 | H-1 | 3-15/16" |
| 353 | H-3 | 3-5/8" |
| 354 | H-4 | 3-5/8" |
| 355 | H-5x | 3-15/16" |
| 356 | H-6x | 3-15/16" |

350 Series

Accessories

HINGED

End Cap 4"



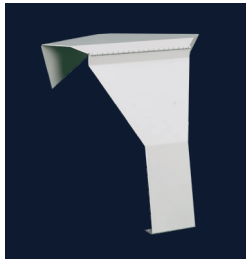
Slotted End Cap 4"



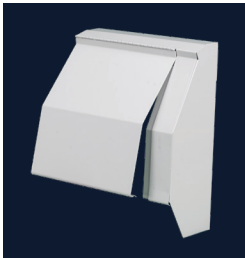
Inside Corner 90°



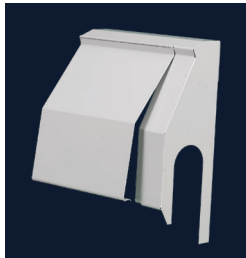
Inside Corner 135°



Valve Cover 8"



Slotted Valve Cover 8"



NON-HINGED

End Cap 2"



Wall Trim 4" & 7"



Filler Sleeve 7" & 14"



Outside Corner 90° & 135°



Splice Plate 2"



ADDITIONAL ACCESSORIES

Support Bracket

Plastic Expansion Cradle

