

**THIS SPACE FOR DESIGNER/ENGINEER APPROVAL**

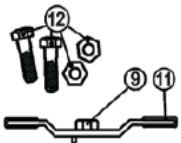
Job/Customer _____	Date _____	Contractor _____
Model Specified _____	Qty _____	Approved By _____
Designer/Engineer _____	Date _____	Contractor's PO# _____
Submitted by _____	Date _____	Other _____

# 4040 Series

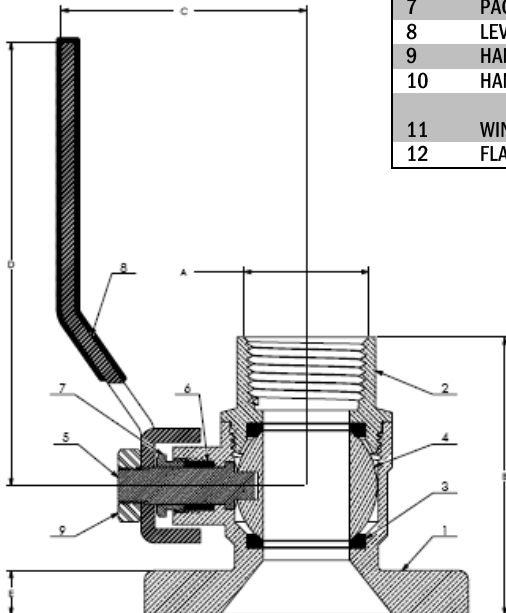
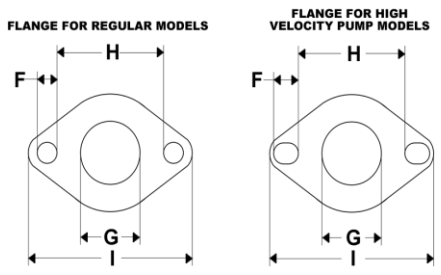
**Full Port Forged Brass Uni-Flange Ball Valves  
w/ Bonus Wing Style "T" Handle, Nuts & Bolts  
IPS x Flange  
600 WOG – ISO 9001**



ITEM #	SIZE	CTN	CASE	A	B	C	D	E	F	G	H	I
40402	1/2"	2	20	1/2	2 1/4	1 7/8	3 7/8	3/8	1/2	3/4	2 11/16	4 1/8
40403	3/4"	2	20	3/4	2 3/8	2 1/16	3 7/8	3/8	1/2	1	2 11/16	4 1/8
40404	1"	2	20	1	2 11/16	2 1/2	4 5/8	3/8	1/2	1 1/4	2 11/16	4 1/8
40405	1 1/4"	2	20	1 1/4	2 7/8	2 3/8	4 5/8	3/8	1/2	1 9/16	2 11/16	4 1/8
40406	1 1/2"	2	20	1 1/2	4	3 3/8	5 9/16	3/8	1/2	1 15/16	2 11/16	4 1/8
<b>HV MODELS FIT BOTH STANDARD &amp; HIGH VELOCITY PUMPS</b>												
40404HV	1"	2	20	1	2 11/16	2 1/2	4 5/8	3/8	5/8	1 1/4	2 11/16	4 1/8
40405HV	1 1/4"	2	20	1 1/4	2 7/8	2 13/16	4 5/8	3/8	5/8	1 9/16	2 11/16	4 1/8
40406HV	1 1/2"	2	20	1 1/2	4	3 3/8	5 9/16	3/8	5/8	1 15/16	2 11/16	4 1/8
40407HV	2"	2	10	2	4 7/16	3 3/4	5 9/16	3/8	5/8	1 15/16	2 11/16	4 1/8



NO.	DESCRIPTION	MATERIAL
1	FLANGED BODY	BRASS
2	END CAP	BRASS
3	SEATS	PTFE
4	BALL	BRASS HCP
5	STEM	BRASS
6	STEM SEAL	PTFE
7	PACKING GLAND	BRASS
8	LEVER HANDLE	STEEL CP
9	HANDLE NUT	STAINLESS STEEL
10	HANDLE JACKET	VINYL
11	WING STYLE "T" HANDLE	STEEL CP W/ VINYL GRIPS
12	FLANGE BOLTS & NUTS	STEEL ZP



TEMP °F	PSI
100	600
150	490
200	470
250	439
300	411
350	294
366	N/A

**Specifications:** Designed for residential, commercial or industrial use with water or a glycol mixture. This approved Webstone valve is actuated by a blowout proof stem and features an adjustable packing gland. Flange features a conical inlet to minimize turbulence. Threaded ends comply with ANSI B1.20.1.



Quality and Commitment Since 1954

www.webstonevalves.com · P: (800) 225-9529 · F: (800) 336-5133

Webstone product specifications in U.S. customary units are approximate and are provided for reference only. Webstone reserves the right to change or modify product design, construction, specifications or materials without prior notice and without incurring any obligation to make such changes and modifications on Webstone products previously or subsequently sold.