

# DOUBLE 3/8" COMPRESSION OUTLET CONNECTION OUTLET BOX

696 series

Ox Box™

Item # Submitted	_____
Job Name	_____
Location	_____
Engineer	_____
Contractor	_____
PO#	_____ TAG _____

## SPECIFICATION

Sioux Chief 696 series Ox Box double 3/8" compression outlet connection outlet box shall be used where necessary in plumbing supply systems. Box shall allow for mounting with supply lines from top or bottom, on-stud or between studs. Unit shall be available with plain valves or valves and water hammer arresters. Arresters shall be certified to ASSE 1010 and shall be UPC listed. Metal support bracket shall install into top track of box for between stud configuration. Outlet connections shall be generally 3/8".

## MATERIALS

outlet box: ABS

frame: ABS

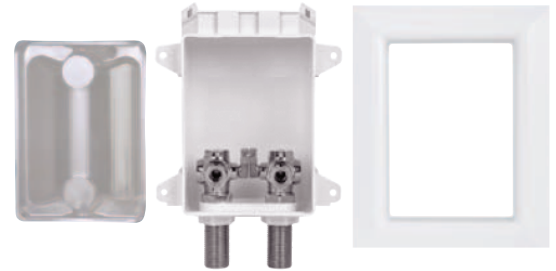
bracket: galvanized steel

arrestor body: Type L copper tube

piston: polypropylene with two EPDM o-rings

piston lubrication: Dow-Corning, 111 FDA approved silicone compound

valve body: chrome-plated forged brass



696-2001MF

## VALVE/ARRESTER WORKING LIMITS

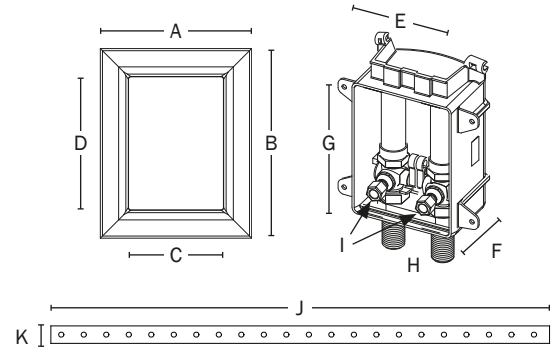
max working temperature: 250°F

maximum testing air pressure: 100 PSIG

maximum working/testing pressure: 250 PSIG

## DIMENSIONS

- A: frame width 5 3/4"
- B: frame height 7 1/4"
- C: frame opening width 3 5/8"
- D: frame opening height 5 1/8"
- E: rough-in box inner width 4"
- F: rough-in box overall depth 3 1/2"
- G: rough-in box inner height 5 1/2"
- H: supply connections 1/2" nominal (see 'C' below)
- I: outlet connections 3/8" compression
- J: bracket length 18"
- K: bracket width 5/8"
- bracket thickness 16 gauge



## CERTIFICATIONS/APPROVALS

Listed by UPC/IAPMO to meet UPC  
 Conforms to IPC  
 Valves meet ASME A112.18.1  
 SCM items available with no-lead valves are compliant with NSF-61 Annex G and California No Lead Plumbing Law



Create Item Number

**696 A 20 B 1 C D**

e.g. 696-2011MF = double 3/8" compression outlet connection box, female sweat valves with arresters, packaged with frame

- |   |   |  |
|---|---|--|
| <p><b>A</b> VALVES</p> <ul style="list-style-type: none"> <li><input type="checkbox"/> - Plain valve</li> <li><input type="checkbox"/> -G No-lead valves<sup>1</sup></li> </ul> <p><b>B</b> ARRESTER</p> <ul style="list-style-type: none"> <li><input type="checkbox"/> 0 No arrester</li> <li><input type="checkbox"/> 1 With arrester</li> </ul> | <p><b>C</b> SUPPLY CONNECTION</p> <ul style="list-style-type: none"> <li><input type="checkbox"/> M 1/2" female sweat</li> <li><input type="checkbox"/> C 1/2" male CPVC</li> <li><input type="checkbox"/> X 1/2" PEX crimp F1807</li> <li><input type="checkbox"/> W 1/2" PEX cold expansion F1960</li> <li><input type="checkbox"/> V 1/2" Viega PureFlow® PEX</li> <li><input type="checkbox"/> A 1/2" PEX cold expansion F2080</li> </ul> | <p><b>D</b> FRAME PACKAGING</p> <ul style="list-style-type: none"> <li><input type="checkbox"/> F Standard pack (supply box, frame, bracket, debris cover)</li> <li><input type="checkbox"/> R Rough-in pack<sup>2</sup> (supply box, bracket, debris cover)</li> </ul> <p>1 Compliant with NSF-61 Annex G and California No Lead Plumbing Law<br/>                 2 Order frame (696-1F) separately.</p> |
|---|---|--|