

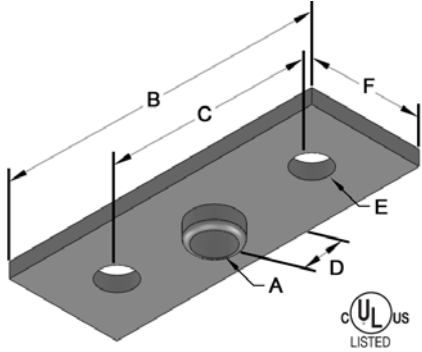


CEILING PLATE

Fig. 945 & 946 STEEL CEILING PLATE

Fig. 945 PRE-GALVANIZED FINISH

Fig. 946 COPPER FINISH



FUNCTION: Designed to provide a means for attaching hanger rod to wood beams or ceilings. The copper finish is for product identification only and is not intended for corrosion resistance.

APPROVALS: Underwriters Laboratories Listed in the U.S. (UL) and Canada (CUL) for supporting up to 2" (50) pipe max. (945 only).

MATERIAL: Low carbon steel

ORDERING: Specify figure number.

Rod Size A	B	C	D	E	F	Max. Rec. Load		Wt. Each	
						lbs.	Kn	lbs.	kg
3/8	2 ¹³ / ₁₆ (71.45)	1 ¹³ / ₁₆ (46.05)	5/16 (7.94)	5/16 (7.94)	1 (25.40)	180	(0.8)	.10	(.05)

Unless otherwise specified, all dimensions on drawings and in charts are in inches and dimensions shown in parentheses are in millimeters.