

# SS-605 Sink Strainer • Spec Sheet

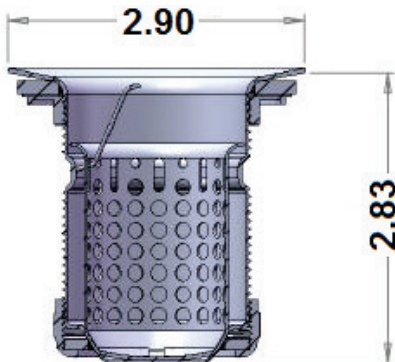


## FEATURES & BENEFITS

- Stainless Steel Sink Strainer
- Fits 1-7/8" to 2-1/2" Openings
- Chrome Junior Dual Basket
- Deep Pattern

## MATERIAL SPECIFICATIONS

No.	Part	Material
1	Basket	Brass
2	Body	Brass
3	Washer	Paper
4	Washer	Rubber
5	Lock Nut	Zinc
6	Washer	PE
7	Slip Nut	Zinc – Yellow Chromate Dip



**MATCO-NORCA**

Global sourcing. National compliance. Local service.