

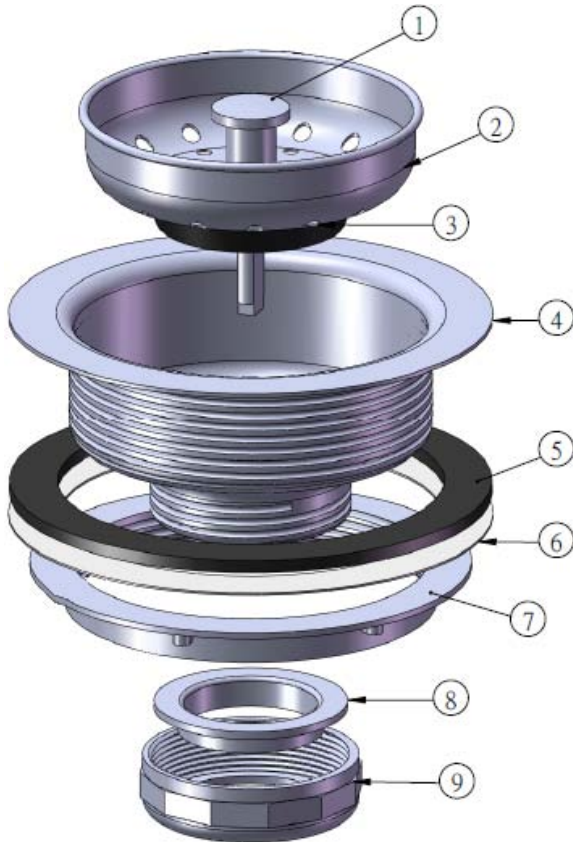
SS-100 & SS-102S Sink Strainer • Spec Sheet



FEATURES & BENEFITS

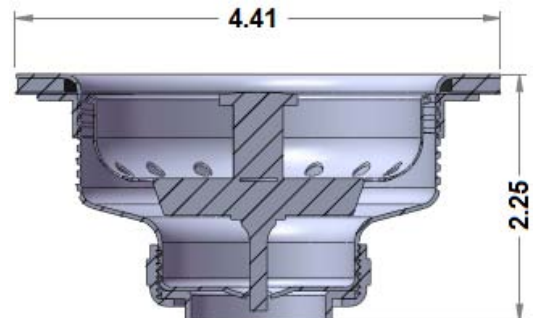
- Stainless Steel Sink Strainers
- Fits 3-1/2" to 4" Openings
- CSA Approved
- Neoprene Stopper
- Fixed Stick Post

SS-102S - Same Specifications As Above
(No Approval), With Satin Nickel Finish



MATERIAL SPECIFICATIONS

No.	Part	Material
1	Post	C.P ABS
2	Basket	SS430#
3	Gasket	Rubber
4	Body	SS430#
5	Washer	Rubber
6	Washer	Paper
7	Lock Nut	Zinc
8	Washer	PE
9	Slip	Zinc – Yellow Chromate Dip



MATCO-NORCA
Global sourcing. National compliance. Local service.

CALIFORNIA 5593 Fresca Dr., La Palma CA 90623 • Toll Free: 866-532-8306 • Fax: 866-532-8307
TEXAS 1150 Silber Rd., Houston TX 77055 • Toll Free: 800-935-5456 • Fax: 713-680-2999
NEW YORK PO Box 27, Rt. 22, Brewster NY 10509 • Toll Free: 800-431-2082 • Fax: 845-278-9056
 WEB: www.matco-norca.com EMAIL: mail@matco-norca.com