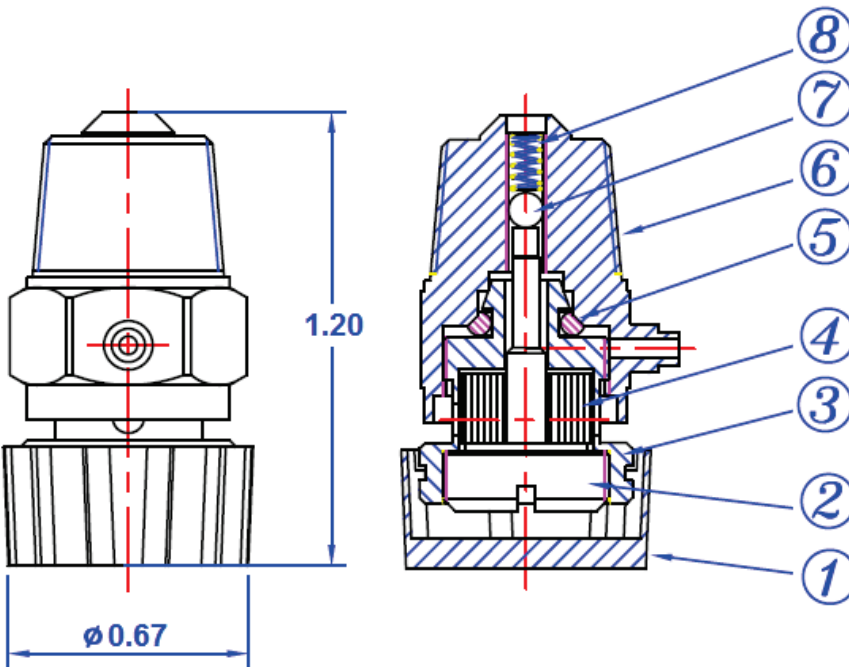


HAV-125 Auto Vent HW & Steam • Spec Sheet



MATERIAL SPECIFICATIONS

Size	Part #	Inner	Master	Weight Lbs.
1/8"	HAV-125	50	500	0.053



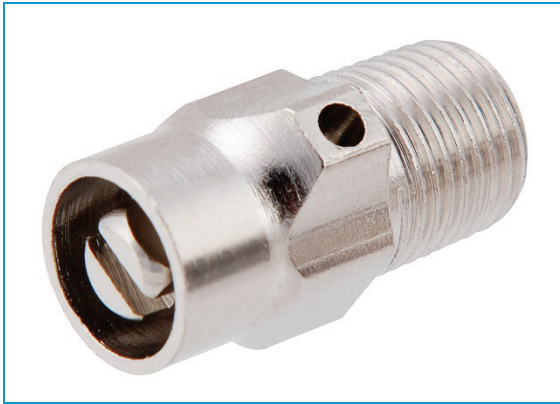
DIMENSIONS

No.	Part	Material
1	Handwheel	Heat Resistance ABS Plastic
2	Disc Bearing Cover	Brass B16 C36000
3	Disc Holder	Brass B16 C36000
4	Disc	Cellulose Fiber
5	O-Ring	Neoprene
6	Body	Brass B16 C36000
7	Check Ball	Steel SS304
8	Spring	Steel SS304

 **MATCO-NORCA**
 Global sourcing. National compliance. Local service.

CALIFORNIA 5593 Fresca Dr., La Palma CA 90623 • Toll Free: 866-532-8306 • Fax: 866-532-8307
TEXAS 1150 Silber Rd., Houston TX 77055 • Toll Free: 800-935-5456 • Fax: 713-680-2999
NEW YORK PO Box 27, Rt. 22, Brewster NY 10509 • Toll Free: 800-431-2082 • Fax: 845-278-9056
 WEB: www.matco-norca.com EMAIL: mail@matco-norca.com

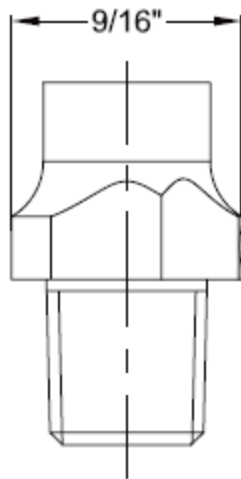
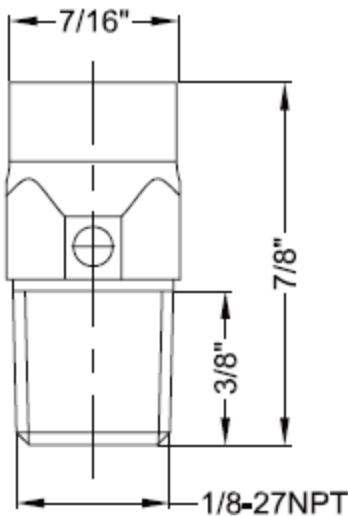
CK-100 Coin Key Air Valve • Spec Sheet



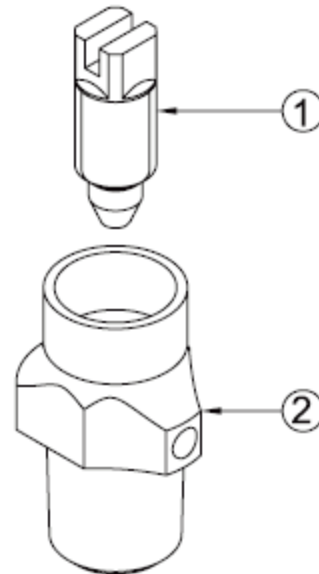
FEATURES & BENEFITS

- Pipe thread comply with ANSI B1.20.1
- Nickel Plated Brass Body
- Slotted & hexagon screws for adjustment
- Air pressure ratings: 0-125PSI
- Designed for manual venting on baseboards, radiators and high points in piping systems
- Size 1/8"

DIMENSIONS



MATERIAL SPECIFICATIONS



No.	Part	Material
1	Adjustable Stem	Brass
2	Air Vent	Brass

MATCO-NORCA
Global sourcing. National compliance. Local service.

CALIFORNIA 5593 Fresca Dr., La Palma CA 90623 • Toll Free: 866-532-8306 • Fax: 866-532-8307
TEXAS 1150 Silber Rd., Houston TX 77055 • Toll Free: 800-935-5456 • Fax: 713-680-2999
NEW YORK PO Box 27, Rt. 22, Brewster NY 10509 • Toll Free: 800-431-2082 • Fax: 845-278-9056
 WEB: www.matco-norca.com EMAIL: mail@matco-norca.com