

# ENT Union Elbow • Spec Sheet



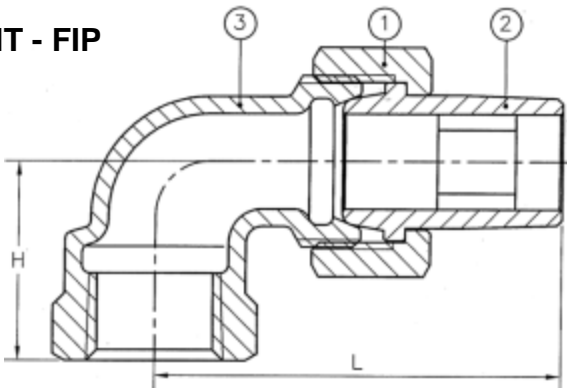
## FEATURES & BENEFITS

- ISO-9002
- Brass Union Elbow w/ Nut & Tailpiece
- Sizes FIP X MIP - 1/2" - 1"  
C X C X MIP - 1/2" - 3/4"

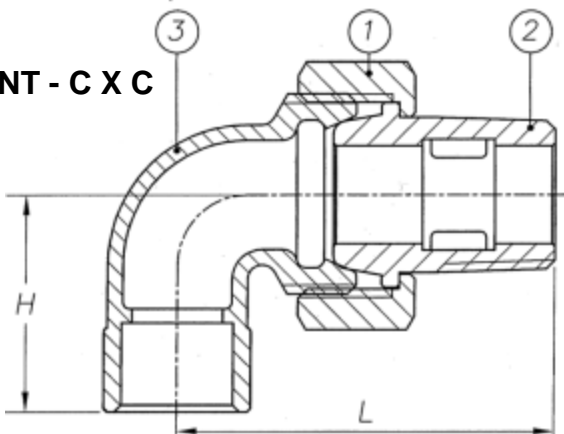
## DIMENSIONS

Part #	Size	H	L
ENT-050	1/2" FIP X 1/2" MIP	1.04	2.30
ENT-075	3/4" FIP X 3/4" MIP	1.32	2.53
ENT-100	1" FIP X 1" MIP	1.40	2.92
ENT-050C	1/2" C X C X 1/2" MIP	1.23	2.11
ENT-075C	3/4" C X C X 3/4" MIP	1.51	2.44

ENT - FIP



ENT - C X C



## MATERIAL SPECIFICATIONS

No.	Part	Material
1	Nipple Nut	Bronze B584 C84400
2	Nipple	Bronze B584 C84400
3	Body	Bronze B584 C84400

 **MATCO-NORCA**  
Global sourcing. National compliance. Local service.